

### Features

- 1/4" (6 mm) thick Falling Lines tempered glass.
- Frameless design emphasizes glass and creates a sleek, minimalist look.
- Smooth, quiet operation.
- Gently curved inside and outside towel bars complete the look of this door.
- CleanCoat® nanotechnology provides a smooth, nonstick surface to help prevent buildup of water stains, bacteria and mildew on your glass, to make it easy to clean and keep it looking like new.

### Material

- Tempered glass ensures maximum safety and durability.
- Anodized aluminum hardware prevents rusting or corrosion.

### Installation

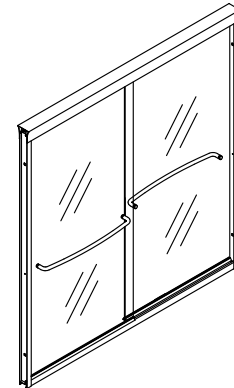
- Fits opening widths 54-5/8" – 59-5/8" (1387 – 1514 mm).
- 3/8" (10 mm) out-of-plumb adjustability per side allows for simpler installation.
- Door can be installed to open to the left or right to suit your bathroom layout.
- For residential use only.
- Not for use in hospitality.

### Recommended Products/Accessories

K-23723 Faucet cleaner

### Included Components

Additional Components:  
Hardware kit



### Codes/Standards


ANSI Z97.1  
CPSC 16CFR 1201

### KOHLER® One-Year Limited Warranty

See website for detailed warranty information.

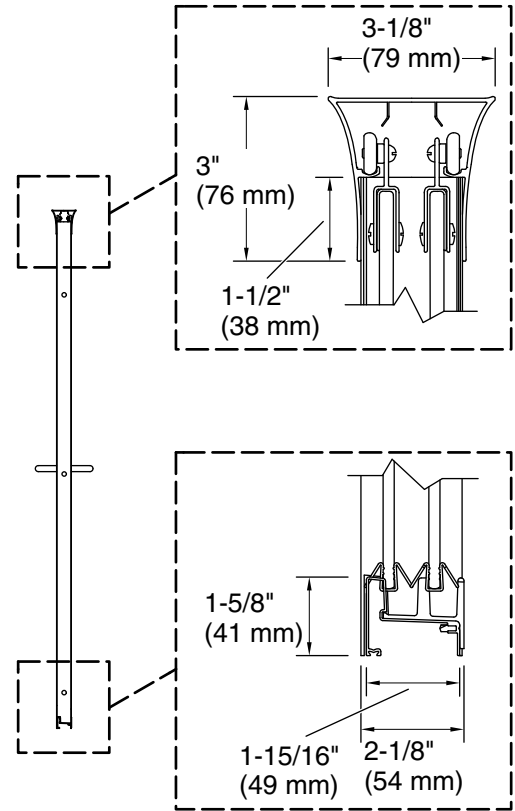
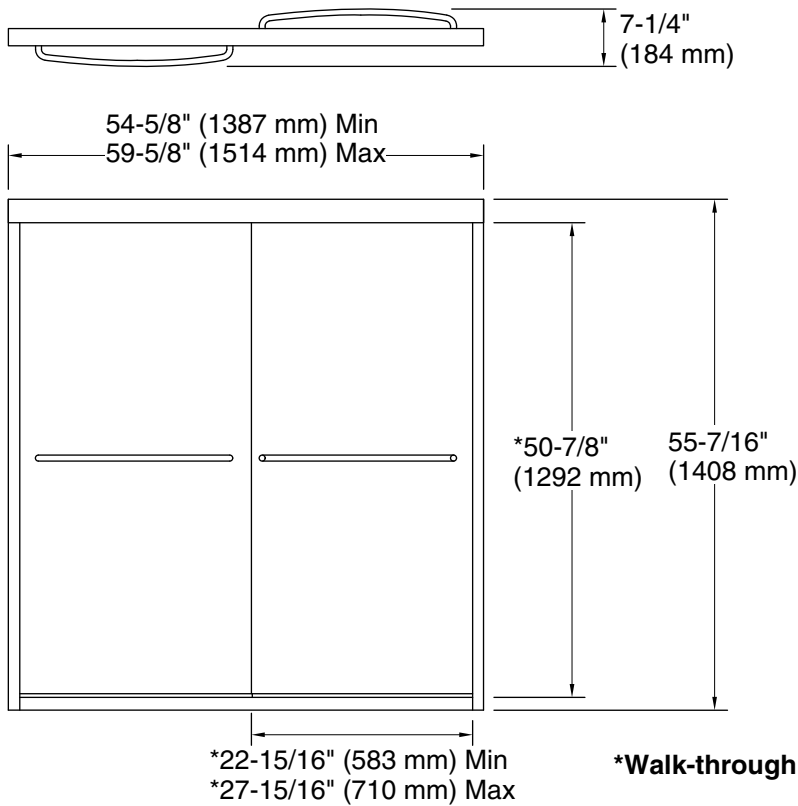
### Available Colors/Finishes

*Color tiles intended for reference only.*

Color	Code	Description
	SHP	Bright Polished Silver
	MX	Matte Nickel
	ABV	Anodized Brushed Bronze

### Available Glass Options

Code	Description
G54	Falling Lines



### Technical Information

All product dimensions are nominal.

- Installation type: For bath installation
- Opening Width - Min: 54-5/8" (1387 mm)
- Opening Width - Max: 59-5/8" (1514 mm)
- Walk-through - Min: 22-15/16" (583 mm)
- Walk-through - Max: 27-15/16" (710 mm)
- Glass thickness: 1/4" (6 mm)
- Glass coating: CleanCoat®

### Notes

Install this product according to the installation instructions.

The vertical opening should be a minimum of 57-1/2" (1461 mm) to allow for installation clearance.