



Eir™ Comfort Height®

One-piece elongated dual-flush intelligent toilet

K-77795

Features

- Compact, streamlined one-piece intelligent toilet with integrated personal cleansing.
- Elongated bowl offers added room and comfort.
- Comfort Height® feature offers chair-height seating that makes sitting down and standing up easier for most adults.
- Dual flush offers a choice of 0.8 or 1.0 gpf (3.0 or 3.8 l/pf).
- Stainless steel wand offers adjustable spray shape, position, water pressure, temperature, pulsate, and oscillate functions.
- The bowl is misted prior to use for more effective rinsing after flushing.
- Front and rear wash modes provide warm water for cleansing.
- Self-cleaning function uses UV light and electrolyzed water systems to sanitize the wand surfaces.
- Warm air drying system.
- Automatic deodorization system.
- Heated seat with adjustable temperature settings.
- Motion-activated, hands-free opening/closing of seat and cover.
- Quiet-Close™ prevents slamming by slowly bringing the toilet seat and lid to a gentle close.
- LED lighting illuminates the bowl to serve as a nightlight.
- English-language touchscreen LCD remote control.
- Emergency flush supports up to 100 flushes during power outage with simple touch-button activation.
- Add luxury to your space by customizing the seat with a Rose Gold or Sunrise Gold accent band (sold separately).
- Included components: Complete toilet and seat, power cord, and LCD remote control.

Technology

- Dual-flush technology allows you to choose between a full- or partial-flush.
- Pump-assisted flushing for strong flush performance.

Installation

- Standard 12" (305 mm) rough-in.

Included Components

Additional Components:

- LCD remote control
- Seat
- power cord



ADA **CSA B651** **OBC**

Codes/Standards




ASME A112.19.2/CSA B45.1
 ASME A112.4.2/CSA B45.16
 ASME A112.19.14
 DOE - Energy Policy Act 1992
 EPA WaterSense®
 California Energy Commission (CEC)
 UL 1951
 CSA C22.2 No. 14
 CSA C22.2 No. 68
 ADA
 ICC/ANSI A117.1
 CSA B651
 OBC

KOHLER® Intelligent Toilet and C3® Cleansing Seat Three-Year Limited Warranty

See website for detailed warranty information.

Available Colors/Finishes

Color tiles intended for reference only.

Color	Code	Description
	0	White
	0RG	White with Rose Gold
	0SG	White with Sunrise Gold

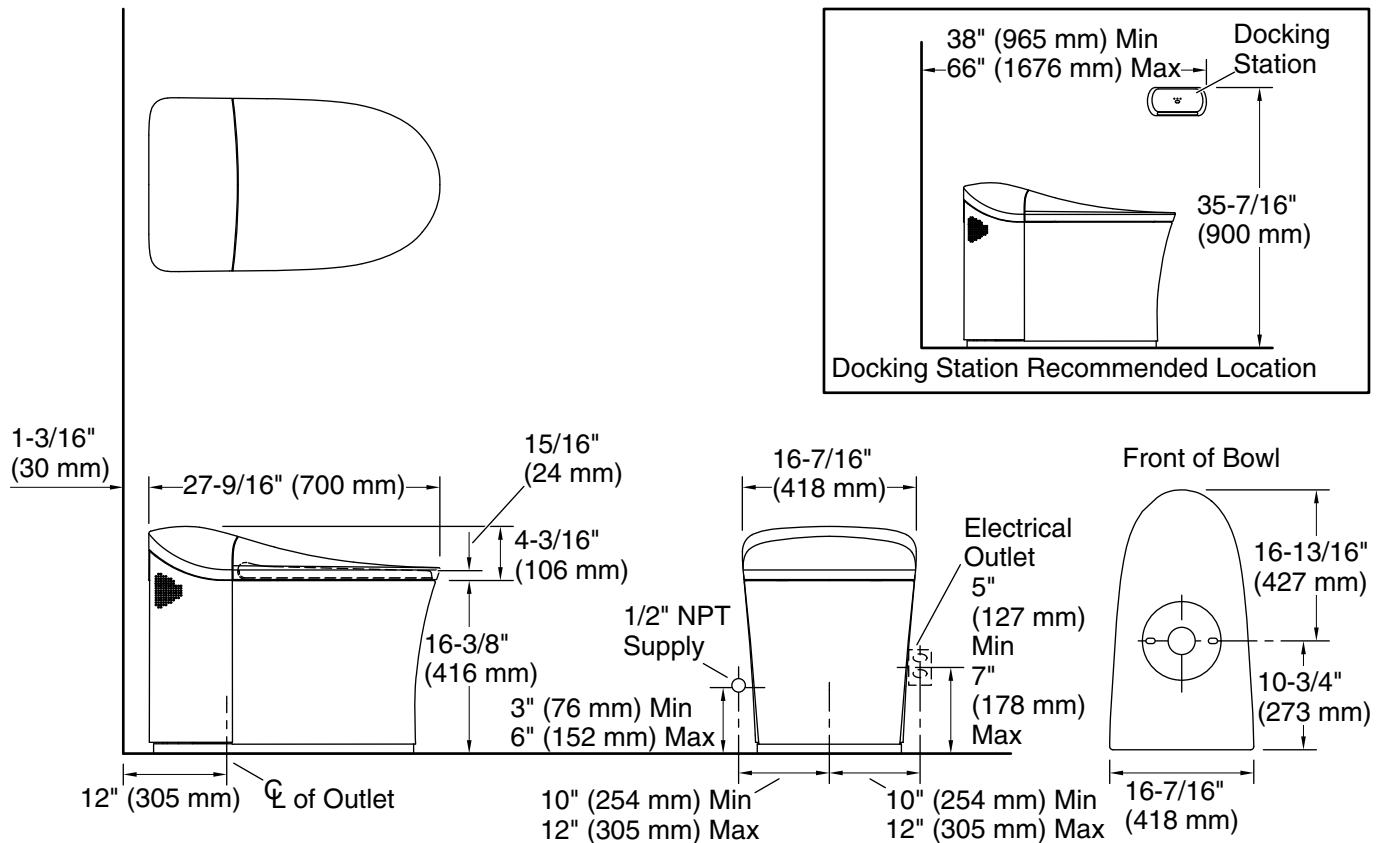
1-800-4KOHLER (1-800-456-4537)

Kohler Co. reserves the right to make revisions without notice to product specifications.

For the most current Specification Sheet, go to www.kohler.com.

4-18-2020 04:58 - US/CA

THE BOLD LOOK
 OF **KOHLER**®



Required Electrical Service

One dedicated circuit required, protected with Class A Ground-Fault Circuit-Interrupter (GFCI). Outside North America, this device may be known as a Residual Current Device (RCD).
120 V, 15 A, 60 Hz

Technical Information

All product dimensions are nominal.

Toilet type:	One-piece, Wall-mount
Waste Outlet:	Floor
Bowl shape:	Elongated
Flush type:	Rim Jet, Siphon jet
Trap passageway:	1-15/16" (49 mm)
Water Consumption	
Full:	1 gpf (3.8 lpf)
Reduced:	0.8 gpf (3 lpf)
Water surface size:	7-15/16" x 5-5/8" (202 mm x 143 mm)
Rim to water surface:	5-1/4" (133 mm)
Rough-in:	12" (305 mm)

Fixture Supply Requirements

Max static pressure: 80 psi (551.6 kPa)

Notes

Install this product according to the installation instructions.
ADA, OBC, CSA B651 compliant when installed to the specific requirements of these regulations.
Plumbing codes may require elongated toilets and elongated, open-front seats in public bathrooms.
Accessibility standards may require controls to be located on the open side of the toilet.