

Features

- Non-diverter spout.
- 7-1/2" (191 mm) spout reach.
- For use with Components™ Lever, Oyl, or Industrial faucet handles (sold separately).
- Coordinates with Components™ faucets, shower trim and accessories to complete your bathroom.

Material

- Premium metal construction for durability and reliability.
- KOHLER finishes resist corrosion and tarnishing.

Installation

- Deck-mount.

Required Products/Accessories

K-77990-4 deck-mount bath faucet handles with valve

or

K-77990-8 deck-mount bath faucet handles with valve

or

K-77990-9 deck-mount bath faucet handles with valve

Recommended Products/Accessories

K-23723 Faucet cleaner



Codes/Standards

ASME A112.18.1/CSA B125.1

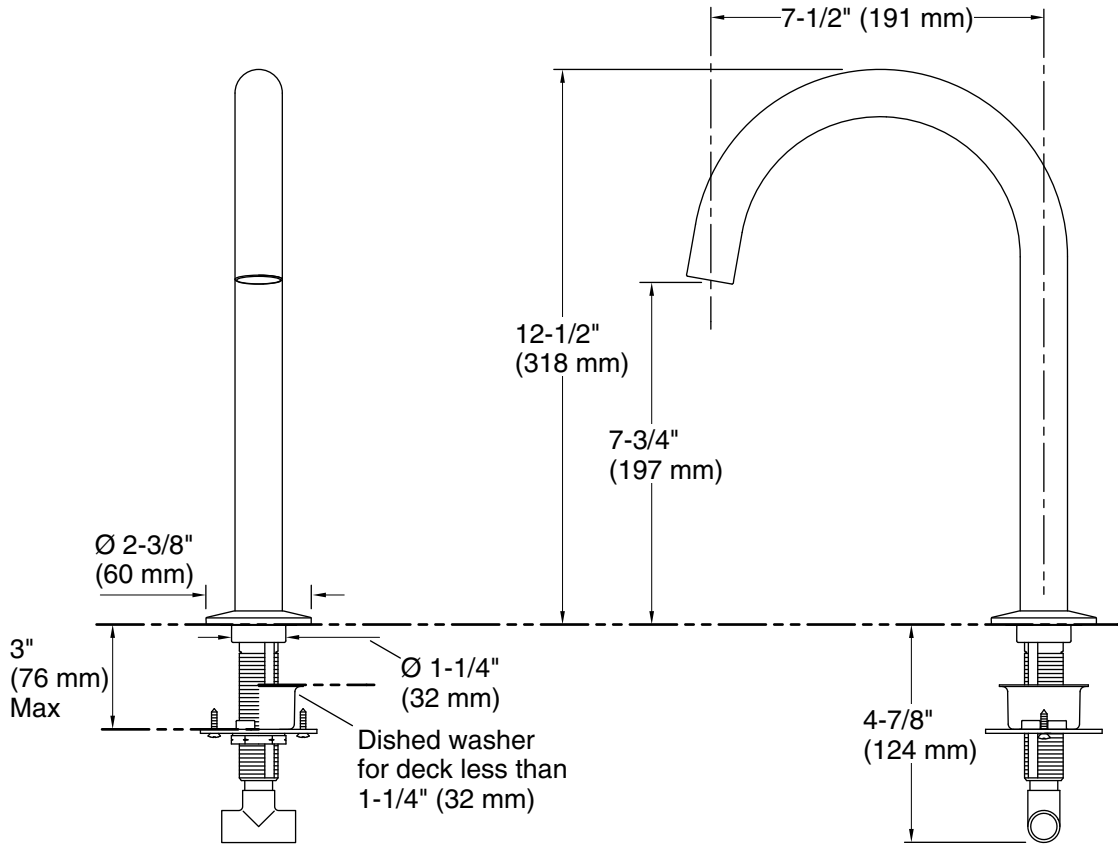
KOHLER® Faucet Lifetime Limited Warranty

See website for detailed warranty information.

Available Colors/Finishes

Color tiles intended for reference only.

Color	Code	Description
	CP	Polished Chrome
	BN	Vibrant® Brushed Nickel
	BL	Matte Black
	2MB	Vibrant® Brushed Moderne Brass



Technical Information

All product dimensions are nominal.

Drain included: No

Spout:

Spout reach: 7-1/2" (191 mm)

Notes

Install this product according to the installation instructions.

WARNING: Risk of personal injury. Do not install the bath faucet in an area where it may inadvertently be used for support by the bather.