



**Vault™**  
top-/under-mount double-equal kitchen sink  
**K-80167-1**

**Features**

- 33" minimum base cabinet width.
- Double equal bowls.
- 9" depth.
- Single faucet hole.
- Rear drain increases workspace in the sink and storage space underneath.
- SilentShield® sound-absorption technology offers quieter performance.
- Includes installation hardware.
- Includes sink strainers.

**Material**

- Handcrafted from 18-gauge stainless steel.

**Installation**

- Top-mount or under-mount.

**Recommended Products/Accessories**

- K-23992 sink rack for K-80167 (Qty 2)
- K-8801 Sink Strainer (Qty 2)
- K-8799 Sink Strainer (Qty 2)

**Included Components**

Product consists of:

- 7400 Sink Strainer
- 1177160 Hardware Kit, Self-Rimming

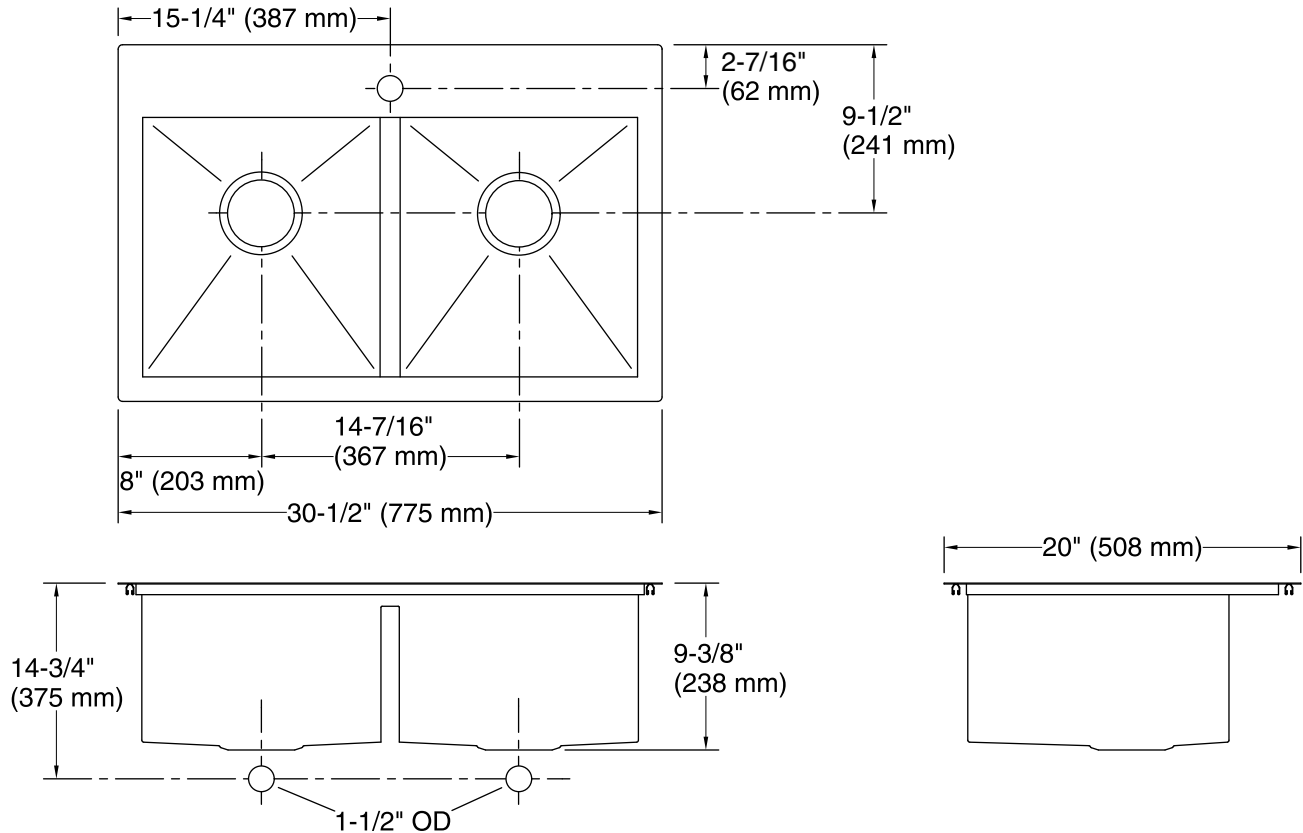


**Codes/Standards**

ASME A112.19.3/CSA B45.4

**Lifetime Limited Warranty for  
KOHLER® Stainless Steel Sinks**

See website for detailed warranty information.



## Technical Information

All product dimensions are nominal.

Bowl configuration: Double equal

Installation: Top-mount, Under-mount

Min. base cabinet width: 33" (838 mm)

Bowl area (Left):  
Length: 13-5/16" (338 mm)  
Width: 14-9/16" (370 mm)  
Bowl depth: 9-1/16" (230 mm)  
Water depth: 9-1/16" (230 mm)

Bowl area (Right):  
Length: 13-5/16" (338 mm)  
Width: 14-9/16" (370 mm)  
Bowl depth: 9-1/16" (230 mm)  
Water depth: 9-1/16" (230 mm)

Number of deck holes: 1

Template: Top-mount/Under-mount, 1345371-7, required, included

## Notes

Install this product according to the installation instructions.

**NOTICE:** Countertop manufacturer or cutter must use the cut-out template provided with the product, or a current one provided by Kohler Co. (call 1-800-4-KOHLER). Kohler Co. is not responsible for cutout errors when the incorrect cut-out template is used.