

Features

- Comfort Depth® design offers a convenient and low step-over height while retaining the depth of a standard 21" bath.
- Sloped lumbar supports on both ends offer extra comfort while bathing.
- Slotted overflow allows for deep soaking.
- Center drain.
- Slotted overflow for deep soaking.
- Integral lumbar support.
- Coordinates with other products in the Reve® collection.

Material

- KOHLER® enameled cast iron.
- Cast iron with Safeguard® finish.
- Painted exterior surface smoothness can vary from product to product.

Installation

- Drop-in or undermount.

Required Products/Accessories

K-7271 Brass Slotted Overflow Bath Drain

or

K-7272 PVC Slotted Overflow Bath Drain

Recommended Products/Accessories

K-137 Under-Mount Installation Kit

K-1179 Vinyl Tiling-in Bead



Codes/Standards

ASME A112.19.1/CSA B45.2

ASTM F462



KOHLER® Enameled Cast Iron Bath and Shower Base Lifetime Limited Warranty

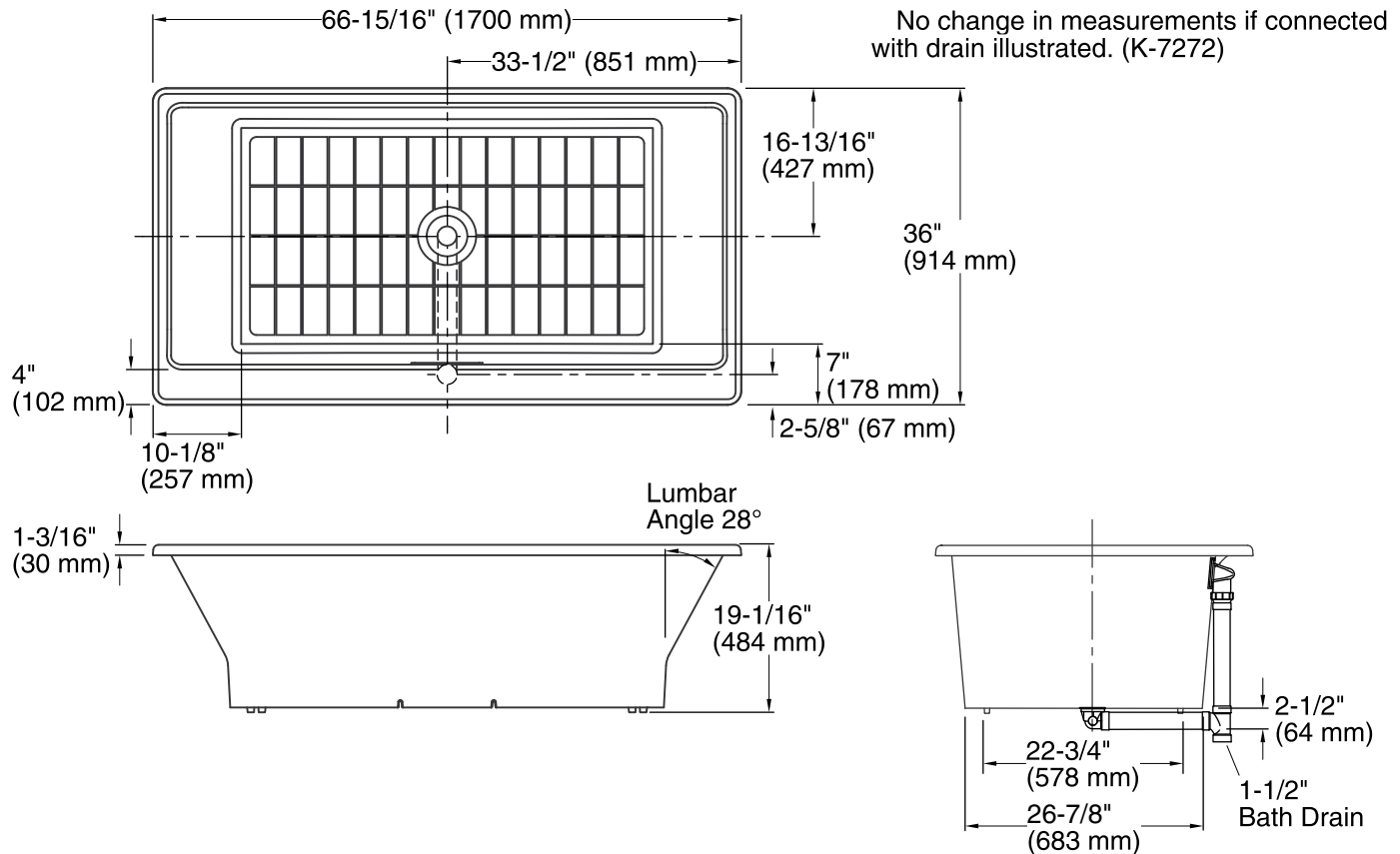
See website for detailed warranty information.

Available Colors/Finishes

Color tiles intended for reference only.

| Color | Code | Description |
|-------|------|-------------|
|-------|------|-------------|

| | | |
|--|----|---------|
|  | 0 | White |
|  | 96 | Biscuit |



Technical Information

All product dimensions are nominal.

| | |
|---------------------|---|
| Installation: | Drop-in, Under-mount |
| Drain location: | Center |
| Basin area, bottom: | 49" x 26-1/2" (1245 mm x 673 mm) |
| Basin area, top: | 62-1/2" x 29-1/4" (1588 mm x 743 mm) |
| Weight: | 435 lbs (197.3 kg) |
| Minimum floor load: | 78 lbs/ft ² (380.8 kg/m ²) |
| Water depth: | 15-1/4" (387 mm) |
| Water capacity: | 90 gal (340.7 L) |
| Cutout: | Drop-in, 66-1/2" x 35-1/2" (1689 mm x 902 mm) |
| Template: | Under-mount, K-137, required, not included |

Notes

Measure your actual product for rough-in details. Install this product according to the installation instructions.

The hot water supply should be 70% of the capacity of the bath or greater. Installations will vary.

Kit is required for under-mount installations (sold separately).

To clear the overflow side bath rim, a minimum 7" (178 mm) bath spout is recommended.

To clear the end wall bath rim, a minimum 10" (254 mm) bath spout is recommended.