

Features

- Spacious shower base offers ample room for showering.
- Safeguard® slip-resistant finish for added safety.
- Single threshold for alcove installation with three tile-in flanges.
- KOHLER® enameled cast iron.
- Right drain.

Recommended Products/Accessories

- K-9132 Shower Drain
- K-1733 9 kW Steam Generator
- K-702206-G54 Frameless Sliding Shower Door
- K-702206-G73 Frameless Sliding Shower Door
- K-702206-L Frameless Sliding Shower Door
- K-702207-L Frameless Sliding Shower Door
- K-702217-L Frameless Sliding Shower Door
- K-705705-L Frameless Pivot Shower Door
- K-705711-L Frameless Pivot Shower Door
- K-705717-L Frameless Pivot Shower Door
- K-705723-L Frameless Pivot Shower Door
- K-705729-L Frameless Pivot Shower Door
- K-705741-L Frameless Pivot Shower Door
- K-705810-L Semi-Frameless Pivot Shower Door
- K-705811-L Semi-Frameless Pivot Shower Door
- K-705824-L Semi-Frameless Pivot Shower Door
- K-705825-L Semi-Frameless Pivot Shower Door
- K-706009-D3 Frameless Sliding Shower Door
- K-706009-L Frameless Sliding Shower Door
- K-706012-L Frameless Sliding Shower Door
- K-706013-L Frameless Sliding Shower Door
- K-706015-D3 Frameless Sliding Shower Door
- K-706015-L Frameless Sliding Shower Door
- K-706019-L Frameless Sliding Shower Door
- K-5526 7 kW Steam Generator
- K-5557 steam generator control kit



Codes/Standards

ASME A112.19.1/CSA B45.2
 ASTM F462

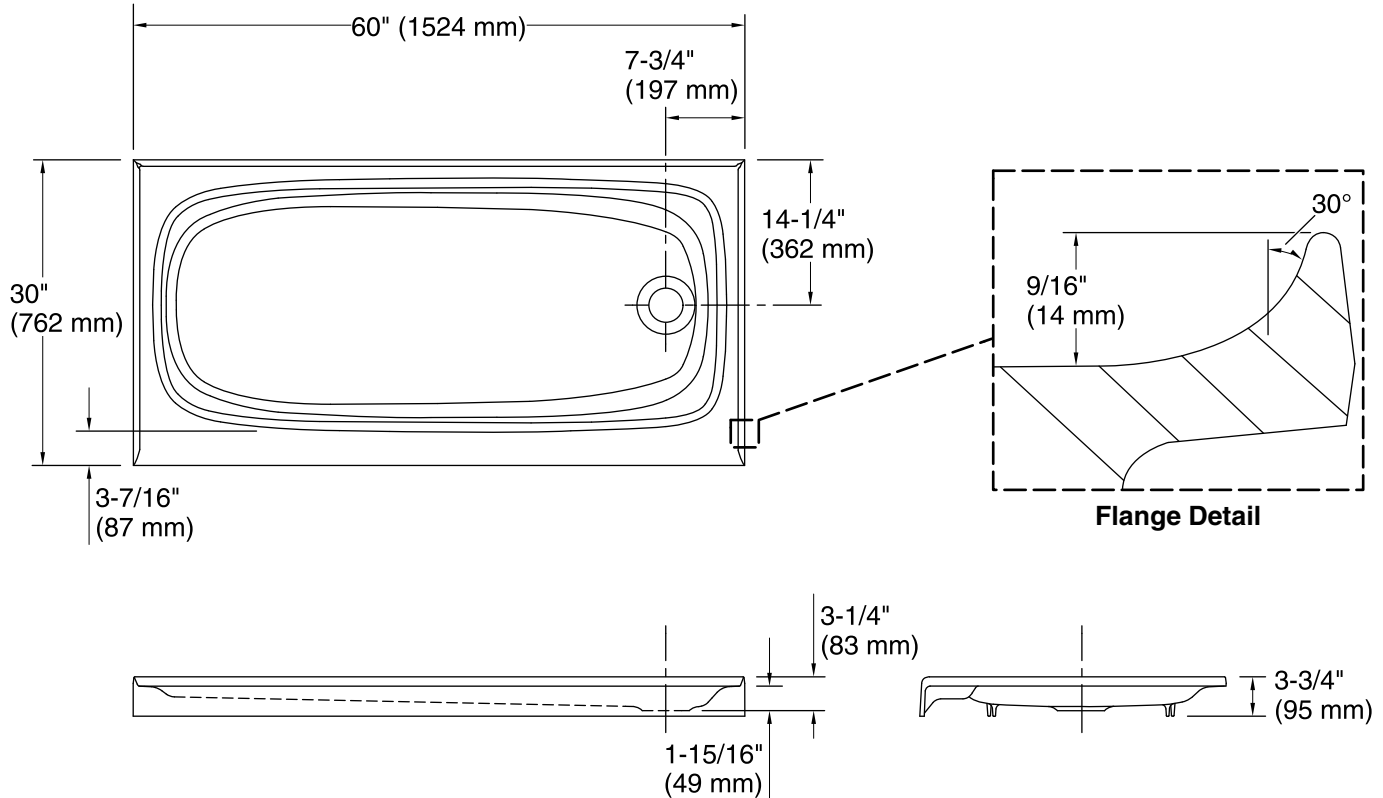
KOHLER® Enameled Cast Iron Bath and Shower Base Lifetime Limited Warranty

See website for detailed warranty information.

Available Colors/Finishes

Color tiles intended for reference only.

| Color | Code | Description |
|-------|------|---------------|
| | 0 | White |
| | FF | Sea Salt™ |
| | 96 | Biscuit |
| | 47 | Almond |
| | FD | Cane Sugar™ |
| | NY | Dune |
| | 95 | Ice™ Grey |
| | G9 | Sandbar |
| | 33 | Mexican Sand™ |
| | K4 | Cashmere |
| | FT | Basalt |
| | 58 | Thunder™ Grey |
| | KA | Black 'n Tan |
| | 7 | Black Black™ |



Technical Information

All product dimensions are nominal.

| | |
|---------------------|---|
| Installation: | Three-wall alcove |
| Drain location: | Right |
| Weight: | 193 lbs (87.5 kg) |
| Minimum floor load: | 40 lbs/ft ² (195.3 kg/m ²) |

Notes

Measure your actual product for rough-in details. Install this product according to the installation instructions.

KOHLER steam generator/control kit is designed for use with this product. Kohler Co. shall not be responsible for problems encountered due to the installation and use of other manufacturer's steam generators.