

Features

- Set includes: Cabinet, precut Silestone® quartz vanity top, sink, cabinet hardware, mounting hardware for sink
- Vanity top has single faucet hole with pilot holes for optional 8" (203 mm) widespread faucet configuration
- Full-extension 18" (457 mm) depth drawer with soft-close undermount slides for smooth opening
- Solid wood drawer with dovetail joint construction
- Vanity top is covered under the Silestone® 25-Year Limited Warranty
- Silestone® quartz provides exceptional durability and stain resistance, making it easy to maintain
- Caxton® Rectangle undermount sink has a streamlined design that is easy to clean
- Customize your storage with optional in-drawer accessories, medicine cabinet surrounds and side kits (sold separately)
- Optional vanity top side and backsplashes available (sold separately)

Material

- Solid wood and veneer vanity
- Silestone® quartz vanity top
- Vitreous china sink
- Premium metal hardware for durability and reliability

Installation

- Wall-hung

Required Products/Accessories

- K-27933 Cabinet drawer appliance organizer
- K-33568 10" cabinet pull
- K-33585 Drawer organizer set
- K-33586 Drawer organizer with lid
- K-33587 Divided drawer organizer
- K-33588 Makeup display tray and organizer

Included Components

Product consists of:

- 28250
- EC20000
- 27939
- 33566

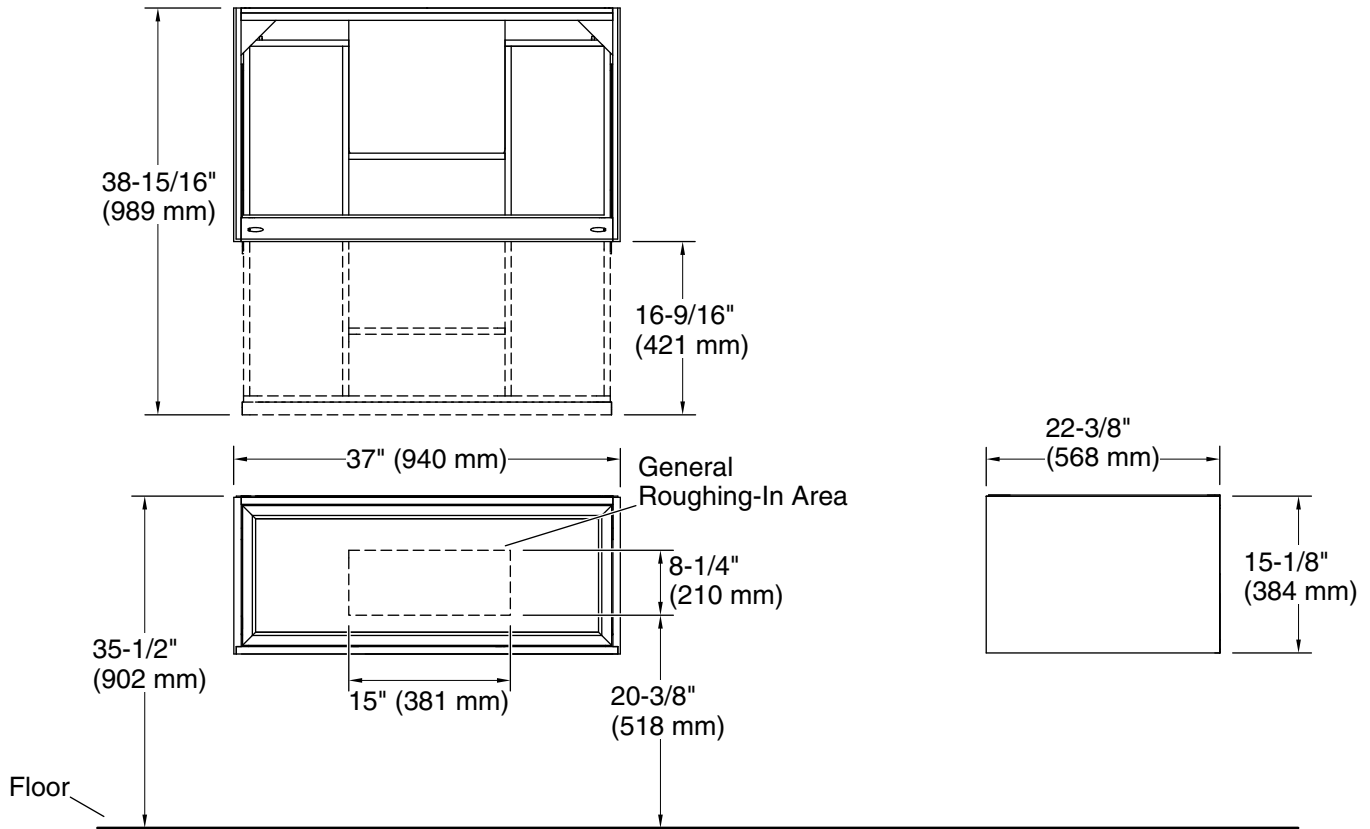


Codes/Standards

CARB P2

KOHLER® One-Year Limited Warranty

See website for detailed warranty information.



Technical Information

All product dimensions are nominal.

Notes

Install this product according to the installation instructions.