

### Features

- 1/2" quarter-turn washerless ceramic disc valves.
- High-flow valving.
- Eliminates the need for a transfer valve and transfer valve trim on the bath deck.
- 11 gpm (41.6 lpm) to 12 gpm (45.4 lpm) flow rate at 45 psi (310.3 kPa)

### Material

- Brass construction.

### Installation

- Finished deck-mount or rim-mount installation only.



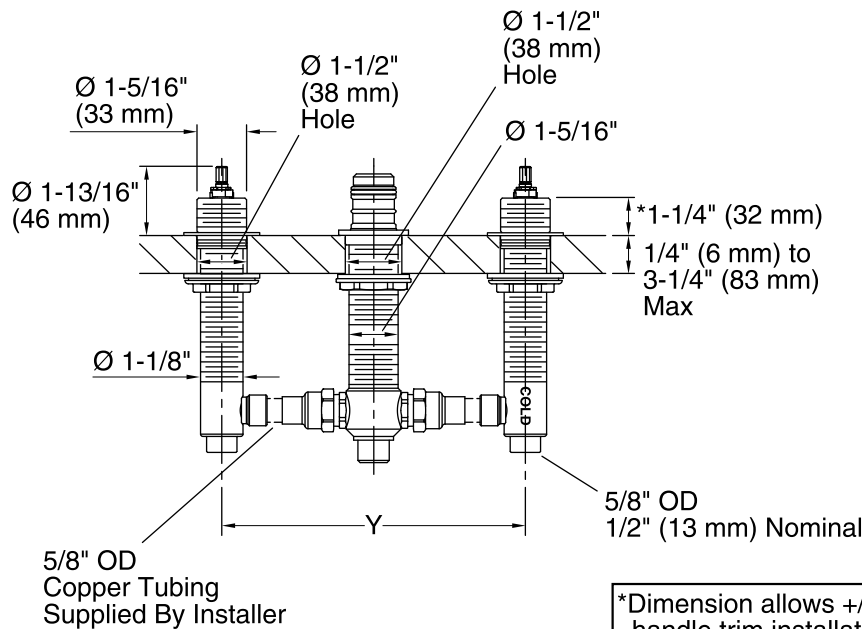
### Codes/Standards

ASME A112.18.1/CSA B125.1

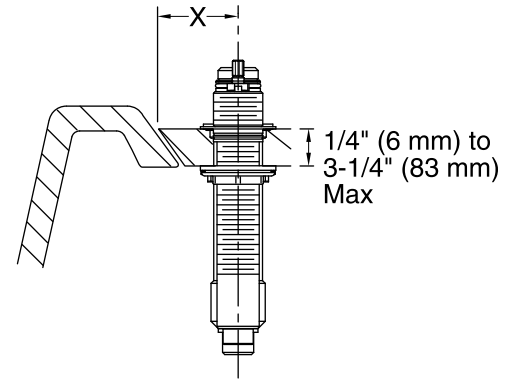
### KOHLER® Faucet Lifetime Limited Warranty

See website for detailed warranty information.

### Finished Deck-Mount Installation



### Finished Rim-Mount Installation



\*Dimension allows  $\pm 1/4''$  (6 mm) handle adjustment during handle trim installation.

X = Distance from centerline of spout inlet to front of spout base plus  $1/2''$  (13 mm).

Y = Distance between valve centerlines vary. Minimum distance is 8" (203 mm).

### Technical Information

All product dimensions are nominal.

### Notes

Install this product according to the installation guide.

**NOTICE:** Leave the cap on the diverter until the spout from the bath faucet trim is ready to be installed. The diverter is an O-ring sealing surface which may be damaged when unprotected.