



# Bardon™

High-efficiency urinal with Mach® Tripoint®  
flushometer  
K-PR4991-T1H

## Features

- Fixture and touchless flushometer combination is engineered for optimal performance.
- Washout urinal.
- 1 pint or 0.125 gpf (0.47 lpf).
- 3/4" (19 mm) top spud.
- Flush valve activation distance is factory-set.
- No external flush volume adjustment ensures water conservation.
- 24-hour automatic sentinel flush keeps trapway fresh.
- Mechanical override enables flushometer to be used manually even during a power outage.
- Chloramine and chlorine resistance on all rubber components exposed to waterway.
- Locking stop cap provides protection against vandalism.
- 125-micron filter protects internal components.
- High back pressure vacuum breaker.
- Powered by a 30 year/875,000 cycle hybrid energy cell, based on 72 uses per day.
- For this combination, order K-4991-ET urinal and K-10UH00D20 flushometer.

## Material

- Vitreous china urinal.
- Brass flush valve with durable Polished Chrome finish.

## Technology

- Electronic infrared sensor with Tripoint® technology for accurate activation.
- Patented piston technology for superior flush volume accuracy.

## Water Conservation & Rebates

- This product can help a building earn Water Efficiency points in LEED® Green Building Rating System.

## Included Components

Additional Components:

- 2" outlet spud
- 3/4" inlet spud
- Hanger(s) (Qty 2)
- Strainer



ADA

CSA B651

OBC

## Codes/Standards

ASME A112.18.1/CSA B125.1  
ASME A112.19.2/CSA B45.1  
ASSE 1037/ASME A112.1037/CSA B125.37  
DOE - Energy Policy Act 1992  
EPA WaterSense®  
California Energy Commission (CEC)  
ADA  
ICC/ANSI A117.1  
CSA B651  
OBC

## KOHLER® One-Year Limited Warranty

See website for detailed warranty information.

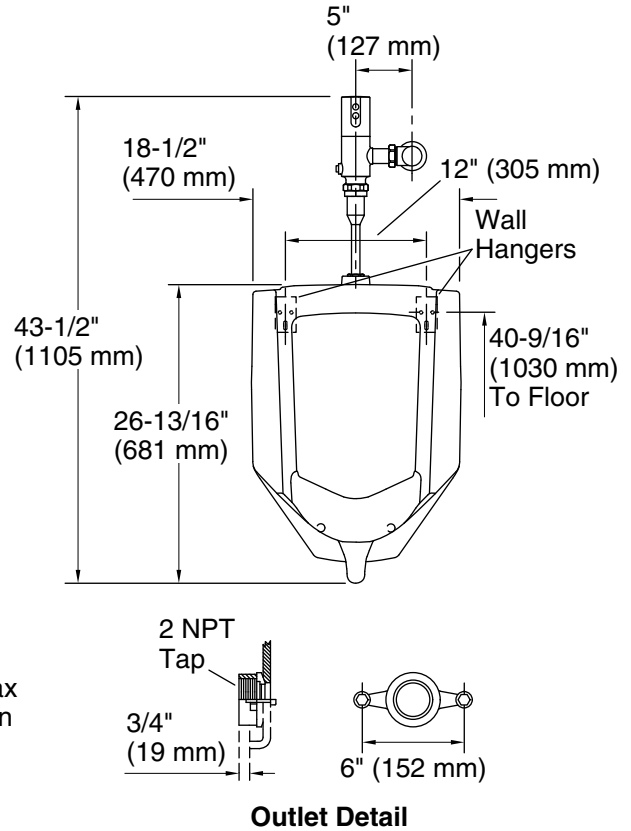
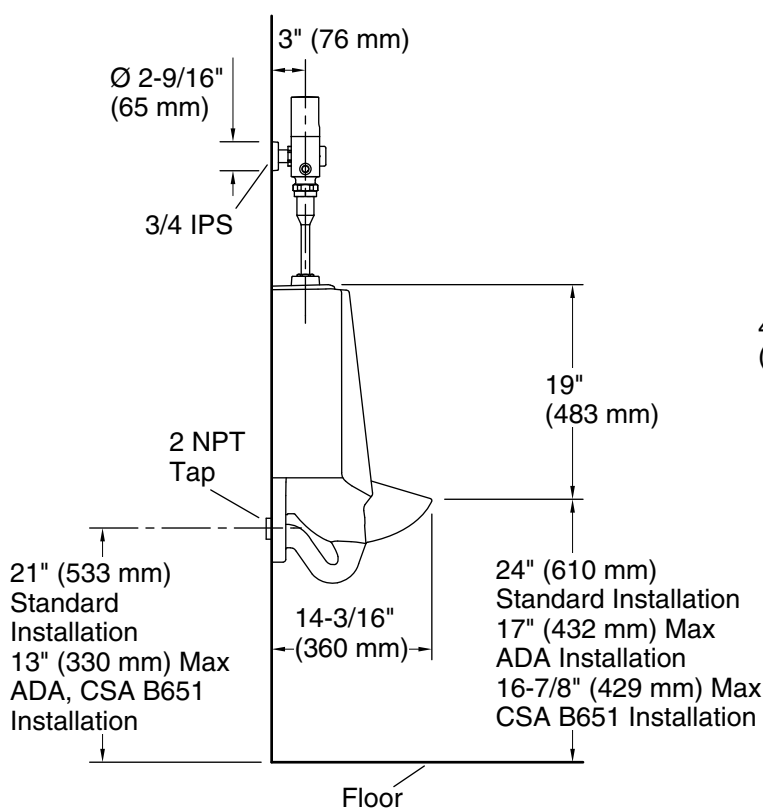
1-800-4KOHLER (1-800-456-4537)

Kohler Co. reserves the right to make revisions without notice to product specifications.

For the most current Specification Sheet, go to [www.kohler.com](http://www.kohler.com).

11-23-2022 02:07 - US/CA

THE BOLD LOOK  
OF **KOHLER**®



## Technical Information

All product dimensions are nominal.

Flush outlet technology: Washout  
 Spud size: 3/4, Outlet, Top

## Pressure and Supply Requirements

Fixture pressure min (static): 25 psi (172.4 kPa)  
 Fixture flow rate min: 25 gpm (94.6 lpm)  
 Fixture pressure max (static): 80 psi (551.6 kPa)

## Notes

Install this product according to the installation instructions.

ADA, OBC, CSA B651 compliant when installed to the specific requirements of these regulations.