

Features

- Advanced spray engine provides three alternative experiences: wide coverage, intense drenching, and powerful massage
- Wide coverage spray produces an encompassing spray for everyday use
- Intense drenching spray delivers a forceful spray ideal for rinsing shampoo from hair
- Powerful massage spray is a focused stream that targets sore muscles, or use as a utility spray to rinse kids, pets, and your shower
- MasterClean™ sprayface features an easy-to-clean surface that withstands mineral buildup
- Single lever handle allows for both on/off activation and temperature setting
- Box includes: 1.8 gpm showerhead, shower arm and flange, valve trim plate, diverter spout with 1/2" NPT or slip-fit connection, and Rite-Temp® pressure-balancing valve with 1/2" connections

Material

- Premium material construction for durability and reliability
- Select KOHLER finishes feature ScratchShield® technology which withstands even the toughest daily use

Technology

- Rite-Temp® technology automatically maintains water temperature within +/- 3°F for anti-scalding protection and precise control

Adapters, Rough-in and Extension Kits

10350 Range: 3-1/2" (89 mm) -
4-1/4" (108 mm)

Recommended Products/Accessories

K-23723 Faucet cleaner

Included Components

Additional Components:
1.8gpm showerhead
Diverter spout with slip-fit connection
Rite-Temp® pressure-balancing valve
Shower arm and flange
Valve trim plate



Codes/Standards



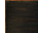
ASME A112.18.1/CSA B125.1
ASSE 1016/ASME A112.1016/CSA B125.16
DOE - Energy Policy Act 1992
EPA WaterSense®
California Energy Commission (CEC)

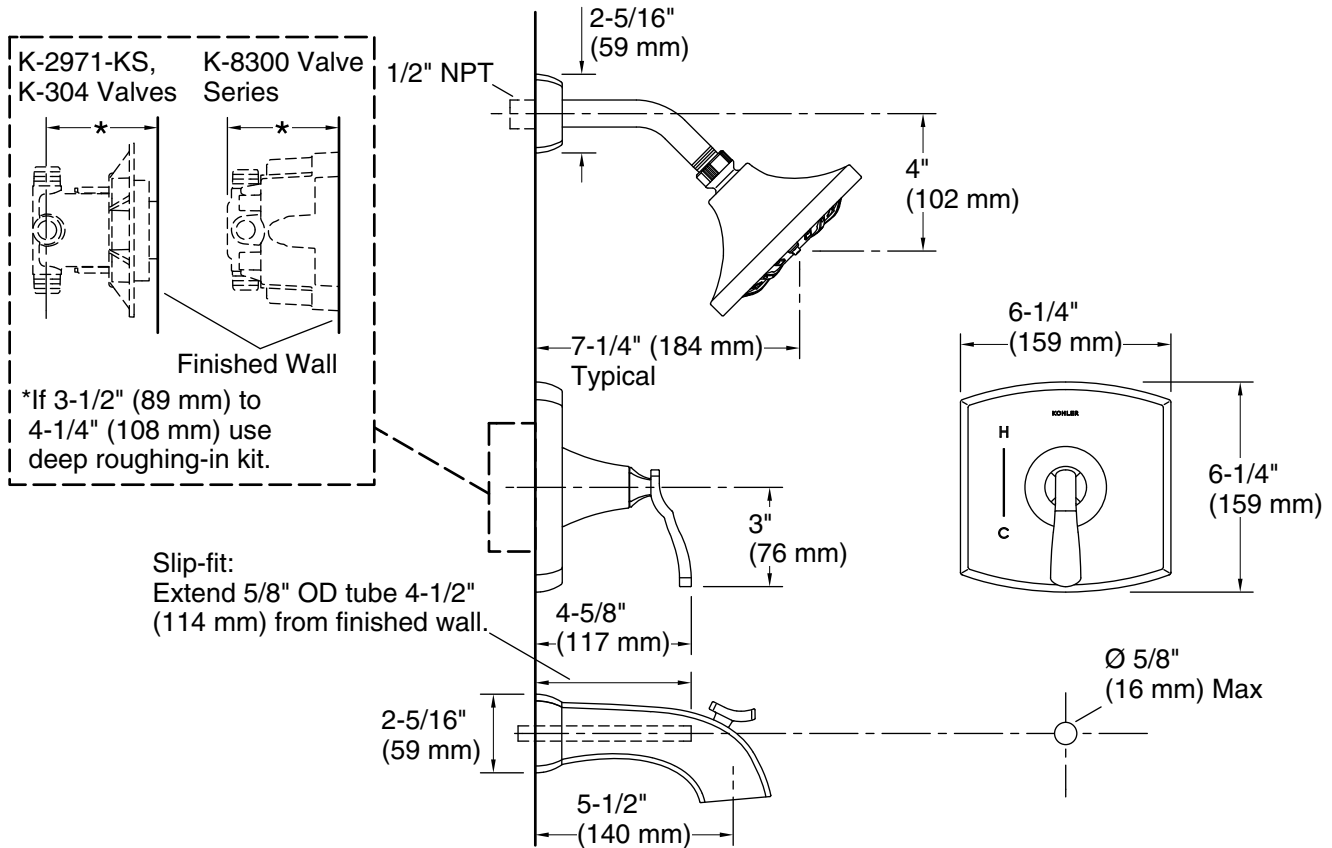
KOHLER® Faucet Lifetime Limited Warranty

See website for detailed warranty information.

Available Colors/Finishes

Color tiles intended for reference only.

Color	Code	Description
	CP	Polished Chrome
	BN	Vibrant® Brushed Nickel
	2BZ	Oil-Rubbed Bronze



Technical Information

All product dimensions are nominal.

Valve body: Machined-brass

Drain included: No

Showerhead/Body Spray:

Rated maximum flow: 1.8 gal/min (6.8 l/min)

Pressure: 80 psi (5.5 bar)

Notes

For use with automatic compensating valves rated at 1.05 gal/min (4 l/min) or less.

Install this product according to the installation instructions.

Install straight pipe or tube drop of 7" (178 mm) to 18" (457 mm) with single elbow between the valve and the wall-mount spout.