

### Features

- Single lever handle is simple to use and makes adjusting water temperature easy
- 1.2 gpm (4.5 lpm) maximum flow rate
- Spout swivels to allow for unobstructed use of the sink
- One-piece, self-contained ceramic disc valve allows both volume and temperature control
- KOHLER ceramic disc valves exceed industry longevity standards for a lifetime of durable performance

### Material

- Premium material construction for durability and reliability
- KOHLER finishes resist corrosion and tarnishing

### Installation

- For single-hole or 4" (102 mm) centerset installation (escutcheon plate included)
- Simplified faucet installation; mounting hardware requires no special tools

### Recommended Products/Accessories

- K-23726 Drain treatment
- K-23723 Faucet cleaner



ADA

CSA B651

OBC

### Codes/Standards

ASME A112.18.1/CSA B125.1  
NSF/ANSI/CAN 61  
NSF/ANSI/CAN 372  
All applicable US Federal and State material regulations  
DOE - Energy Policy Act 1992  
EPA WaterSense®  
California Energy Commission (CEC)  
ADA  
ICC/ANSI A117.1  
CSA B651  
OBC



### KOHLER® Faucet Lifetime Limited Warranty

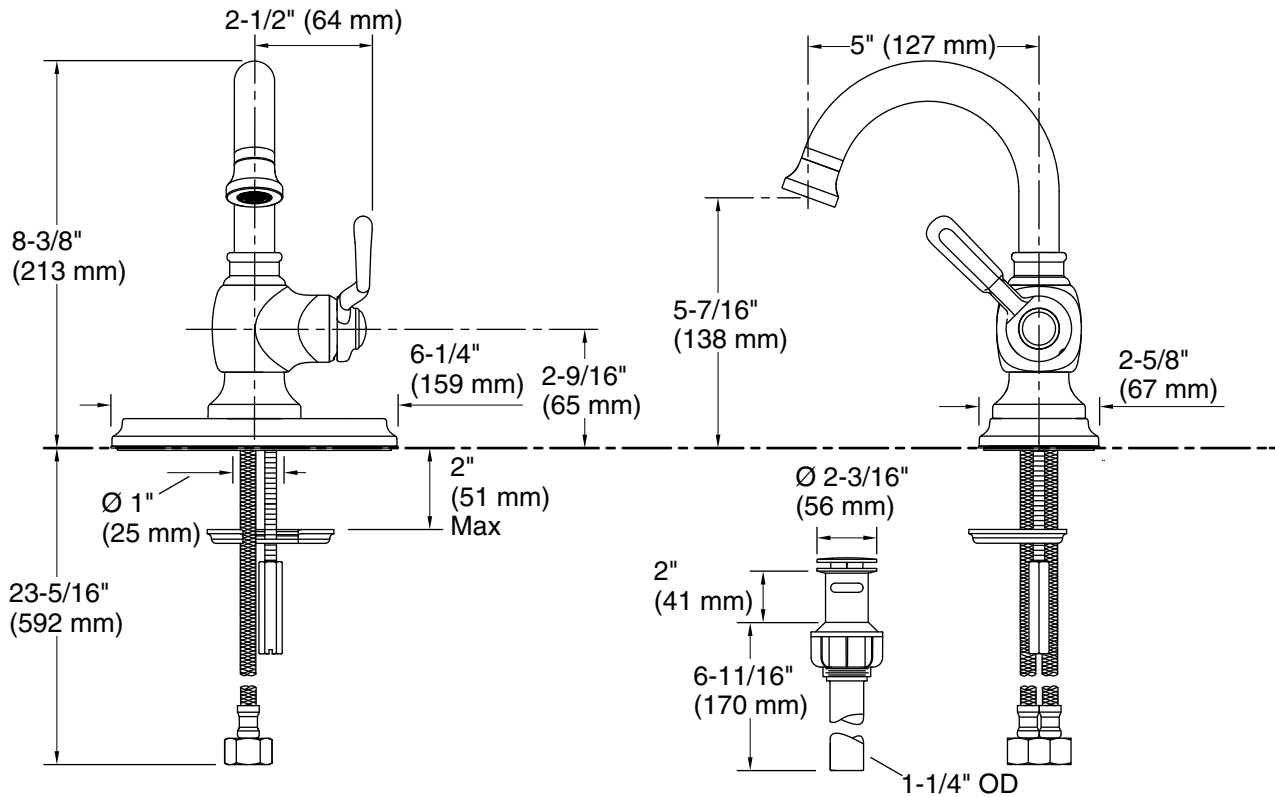
See website for detailed warranty information.

### Available Colors/Finishes

*Color tiles intended for reference only.*

#### Color Code Description

	BN	Vibrant® Brushed Nickel
	2BZ	Oil-Rubbed Bronze



## Technical Information

All product dimensions are nominal.

### Faucet:

Flow rate: 1.2 gal/min (4.5 l/min)

Pressure: 60 psi (4.1 bar)

Drain included: Yes

Drain with overflow: Yes

### Spout:

Spout reach: 5" (127 mm)

## Notes

Install this product according to the installation guide.

ADA complaint for faucet handles only.

ADA, OBC, CSA B651 compliant when installed to the specific requirements of these regulations.