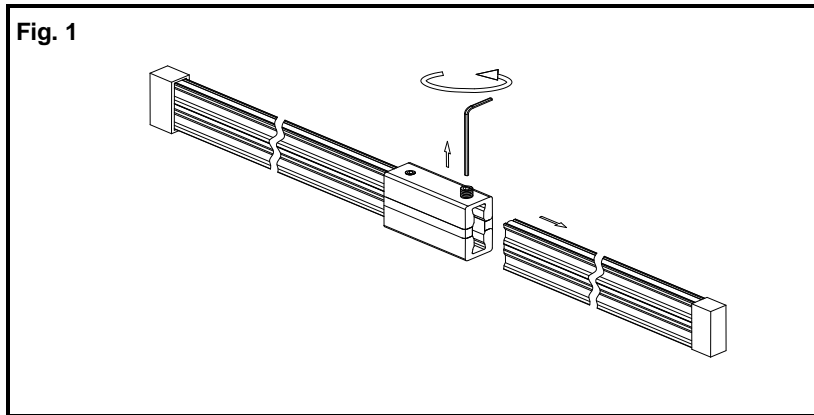
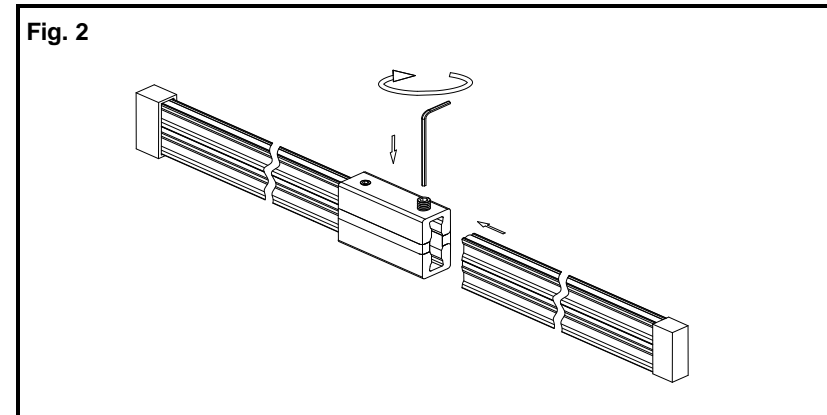


# INSTALLATION INSTRUCTIONS

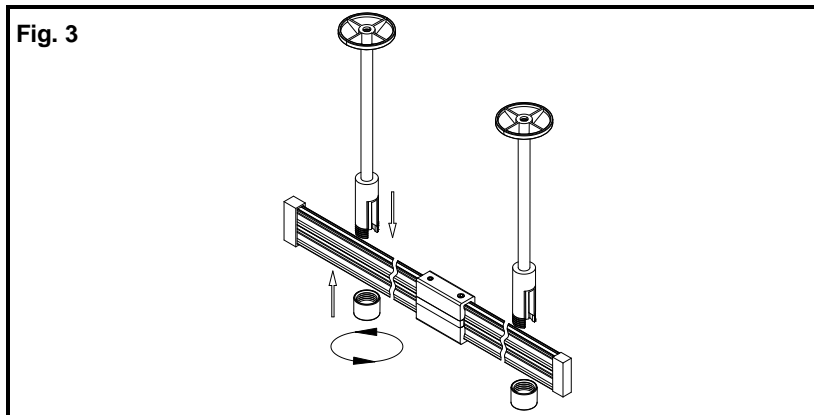
For Model # GKLR096



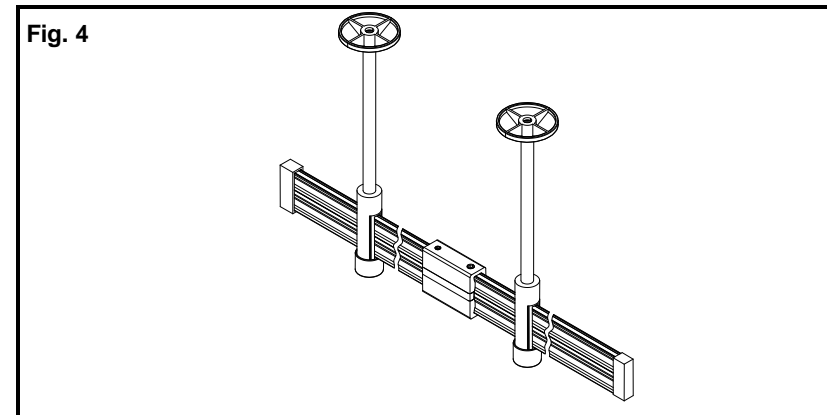
1. Unscrew the Allen Set Screws using the Allen Wrench provided.



2. Insert the ends of the Rail firmly into the Rail Joiners and then tighten the Allen Set Screws.



3. Remove the Standoff Caps. Slide the Rail into the Standoff. While supporting the Rail, screw the Standoff Caps back onto each of the Standoffs.



4. Your installation is now complete.

LA-1204E

**IMPORTANT: FIXTURE SHOULD BE INSTALLED BY A QUALIFIED ELECTRICIAN TO ENSURE PROPER WIRING AND INSTALLATION.**

