

# INSTALLATION INSTRUCTIONS FOR P1410-600-L

## For LED Pendant

### READ AND SAVE THESE INSTRUCTIONS

**WARNING! SHUT POWER OFF AT FUSE OR CIRCUIT BREAKER**  
**AVERTISSEMENT! COUPER LE COURANT AU NIVEAU DES FUSIBLES OU DO DISJONCTEU**

#### ASSEMBLING THE FIXTURE (Fig.1)

- 1 Shut off power at the fuse box or circuit breaker. remove the old fixture including the mounting hardware.
- 2 Carefully remove the fixture from the carton and check that all parts are included as show in Figure 1. Unscrew (G) to remove the mounting plate (A) from the canopy (F).
- 3 Position mounting plate(A) on the ceiling ,and mark the location of the dry wall anchors(W).Pre-drill the holes for the dry wall anchors ,Insert the dry wall anchors(W) into the ceiling ,Attach the mounting plate (A) to the junction box using the mounting screws(B, size 8#-32N 1/2"). The side of the mounting plate marked "GND" must face out.Place the wood screw (T) through the slot hole into the dry wall anchor (W) to secure the mounting plate(A) as shown in Fig. 1.
- 4 The support cable(E) is provided to support the weight of the fixture while wiring .Align the fixture to mounting plate(A) and attach quick link (U) on the end of support cable (E) into the hook hole on the mounting plate(A).Carefully allow the support cable(E) to support the weight of the fixture while wiring.

#### CONNECTING THE WIRES (Fig. 2)

- 5 Pass the black/white and bare copper wires from the hole of the mounting plate(A).Connect the electrical wire as shown in figure 2,making sure that all wire connectors are secured. If your junction box has a ground wire (green or bare copper), connect the ground wire from the fixture to it. Otherwise connect fixture ground wire (C) directly to the mounting plate using the green screw (D) provided. Tuck the wire connections neatly into the ceiling junction box as you hold the canopy towards the ceiling.

#### FINISHING THE INSTALLATION (Fig.1)

- 6 Fix the canopy(F) into the mounting plate (A) with finial(G). Adjust the length of the cable to pull or push until the desired length by pushing down the spring nut (S)

Your installation is now complete. Return power to the junction box and test the fixture.

**CAUTION/ATTENTION:** When handling the fixture, do not apply pressure to the LEDs. Hold the fixture by the frame only.

**IMPORTANT:** Fixture should be installed by a qualified electrician to ensure proper wiring and installation. Dimmable with ELV and/or LED compatible wall dimmer switches.

Fig.1

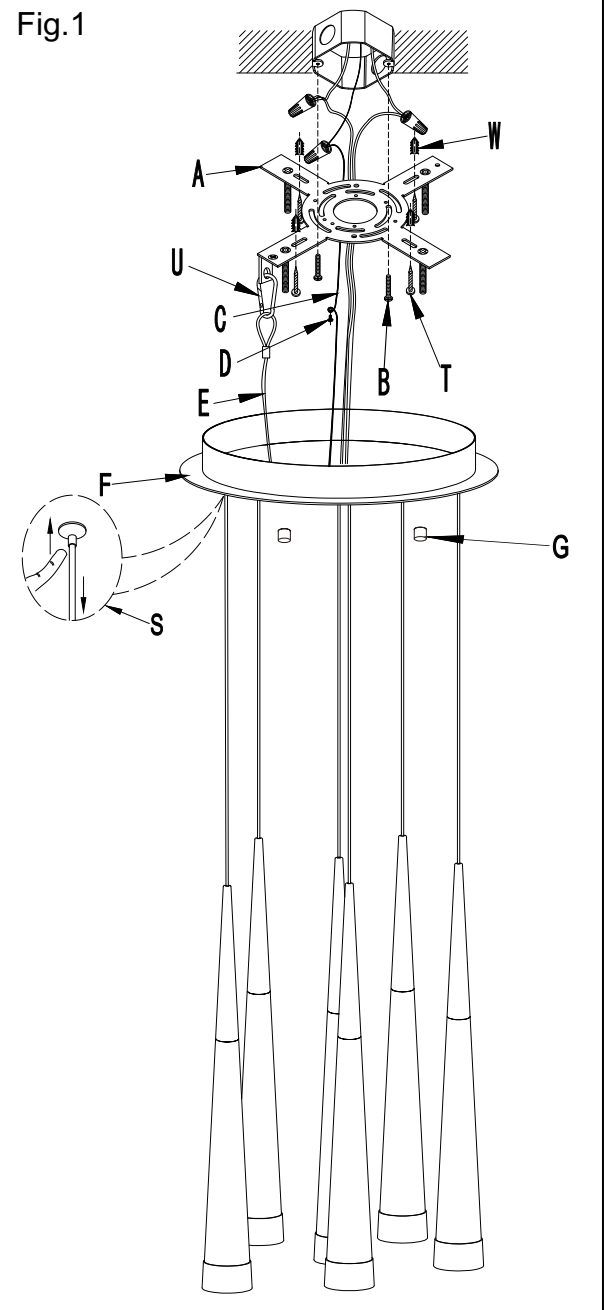
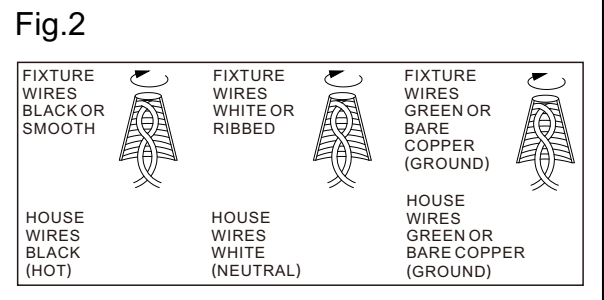


Fig.2



INSTALLATION INSTRUCTIONS FOR P1410-600-L  
For LED Pendant  
READ AND SAVE THESE INSTRUCTIONS

**WARNING! SHUT POWER OFF AT FUSE OR CIRCUIT BREAKER**  
**AVERTISSEMENT! COUPER LE COURANT AU NIVEAU DES FUSIBLES OU DO DISJONCTEU**

LED module replace(Fig.3)

Shut off power before replacing

- 1: There have two LED module with this fixture (L top and M bottom), if one of them do not work ,replace it as shown in Fig. 3. The two modules can respectively the wire in the taper rod body is long enough to pull from the bottom or the top.replace ,Make sure the power is off before you replace ;
- 2: Replace top module (L),twist-off the top acrylic part (H ) anticlockwise,
- 3: Pull out the LED module (L,with the cooling aluminum together) from the top,remove the 8 buckle and take off the cable wire from the body;
- 4: Disconnect the wire nut ,cut a short section of cable wire if necessary, twist-off the screw (K) on the surface of top module with screw driver ,pull out the module(L) through the hole of cooling alu (I), replace a new module ;
- 5: Replace the bottom module(M),Twist-off the bottom acrylic part(O), pull out the wire from the bottom ;
- 6: Disconnect the wire nut ,cut a short section of cable wire if necessary, twist-off the screw (N) at the surface of the bottom module with screw driver ,pull out the module (M) through the hole of cooling alu (R), replace a new module ;
- 7: Repeat 6-1 to assembly the fixture .

Your replace is now complete , return power to the junction box and test the fixture

Fig.3

