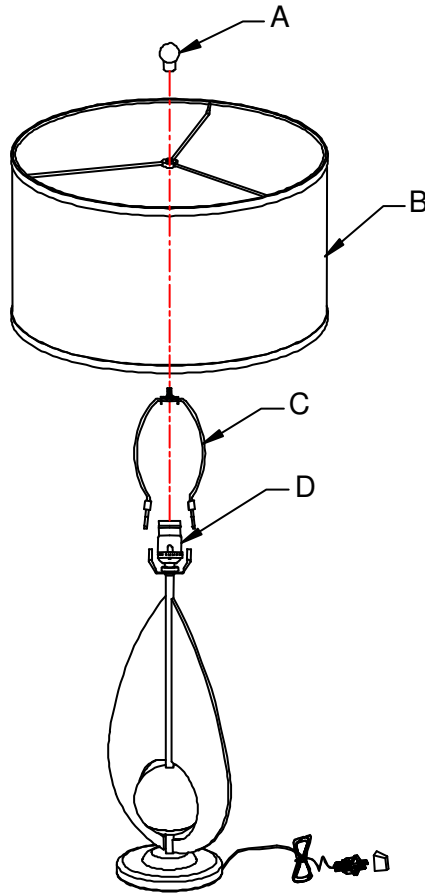


# Installation Instruction

For Mini-Lamp and Table Lamp  
Model#1616-0



## **WARNING:**

- Risk of shock, do not plug the unit before assembly. Avertissement! Couper le courant au niveau des fusibles ou du disjoncteur.
- Do not exceed the maximum wattage rating. Ne pas dépasser la puissance nominale maximale!
- Before turning on, please follow the instruction manual step by step.

## **INSTALLATION**

1. Slide the two bushings in harp (C) up to expose the flat ends at the bottom.
2. Insert the flat ends of harp (C) into saddle (D). Slide the two bushings down to secure harp (C) onto saddle.
3. Install light bulb into the lamp holder (E26 medium base 100W MAX bulb).
4. Align the center ring of shade (B) onto the threaded end of harp (C). Use finial (A) to secure shade (B) onto harp (C).
5. Adjust the shade until it is leveled horizontally.

## **IMPORTANT SAFETY INSTRUCTIONS**

This portable lamp has a polarized plug (one blade is wider than the other) as a safety feature to reduce the risk of electric shock. This plug will fit a polarized outlet only one way. If the plug does not fit fully in the outlet, reverse the plug. If it still does not fit, contact a qualified electrician. Never use with an extension cord unless plug can be fully inserted. Don't alter the plug.

**IMPORTANT: FIXTURE SHOULD BE INSTALLED BY A QUALIFIED ELECTRICIAN TO ENSURE PROPER WIRING AND INSTALLATION.**

**LA-2457E (Date: Mar.25.2015)  
MADE IN CHINA**

**IN AN ONGOING EFFORT TO BE ENVIRONMENTALLY FRIENDLY AND IN COMPLIANCE WITH CALIFORNIA TITLE 20 AN ENERGY SAVING COMPACT FLUORESCENT BULB(S) IS INCLUDED. PLEASE NOTE THAT THE LIFE EXPECTANCY OF THE BULB(S) IS NOT GUARANTEED.**

