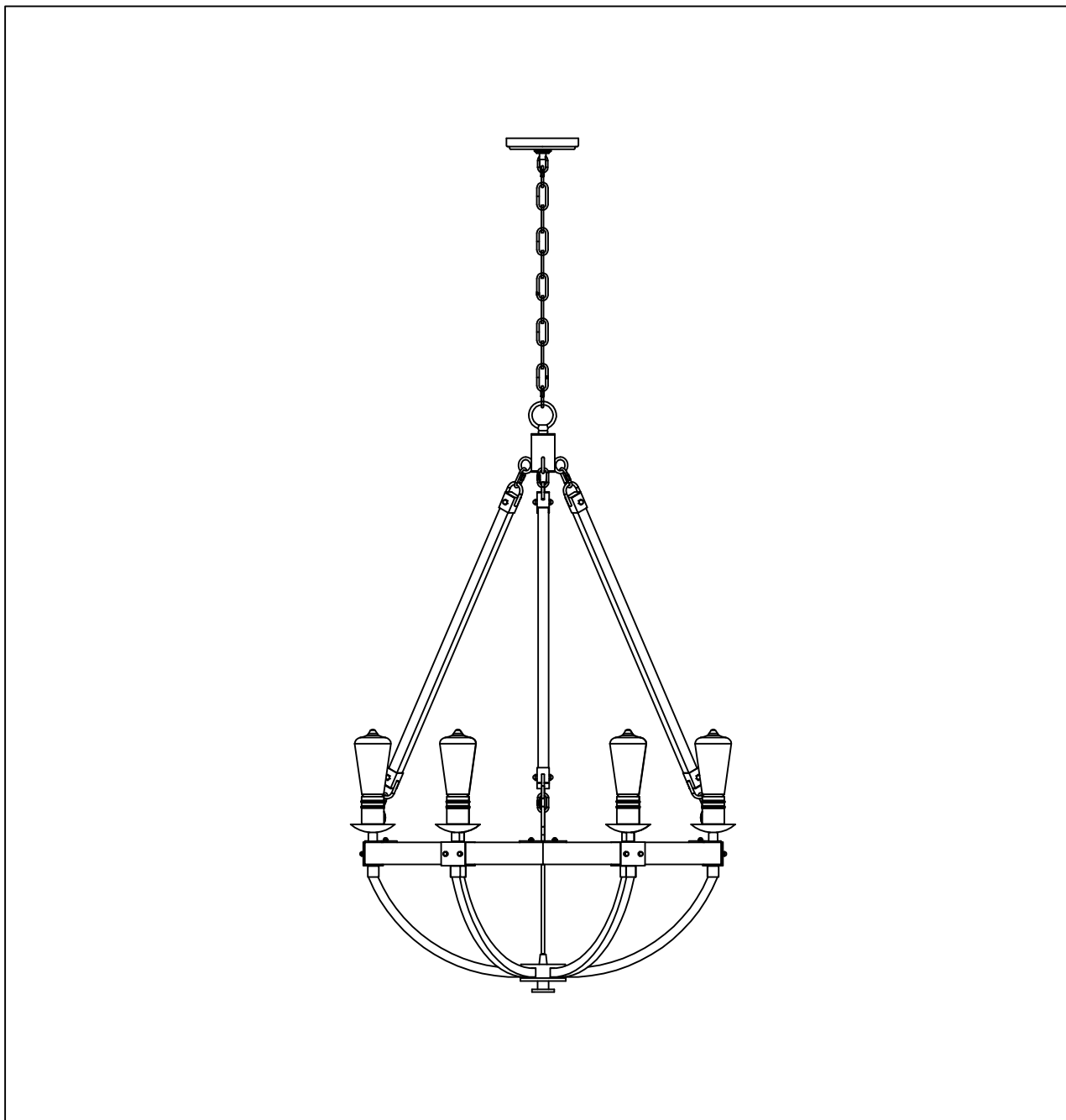




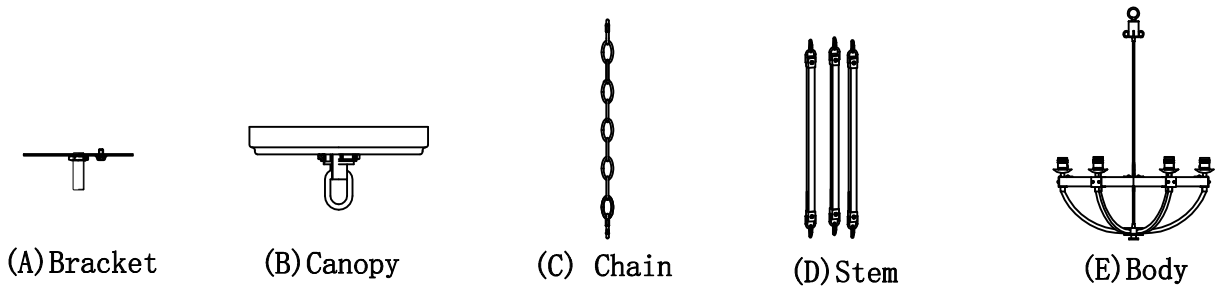
PRODUCT NAME: Lodge 6-Light Chandelier  
NUMBER: 20335

Please consult your electrician for Hang fixture and wiring.

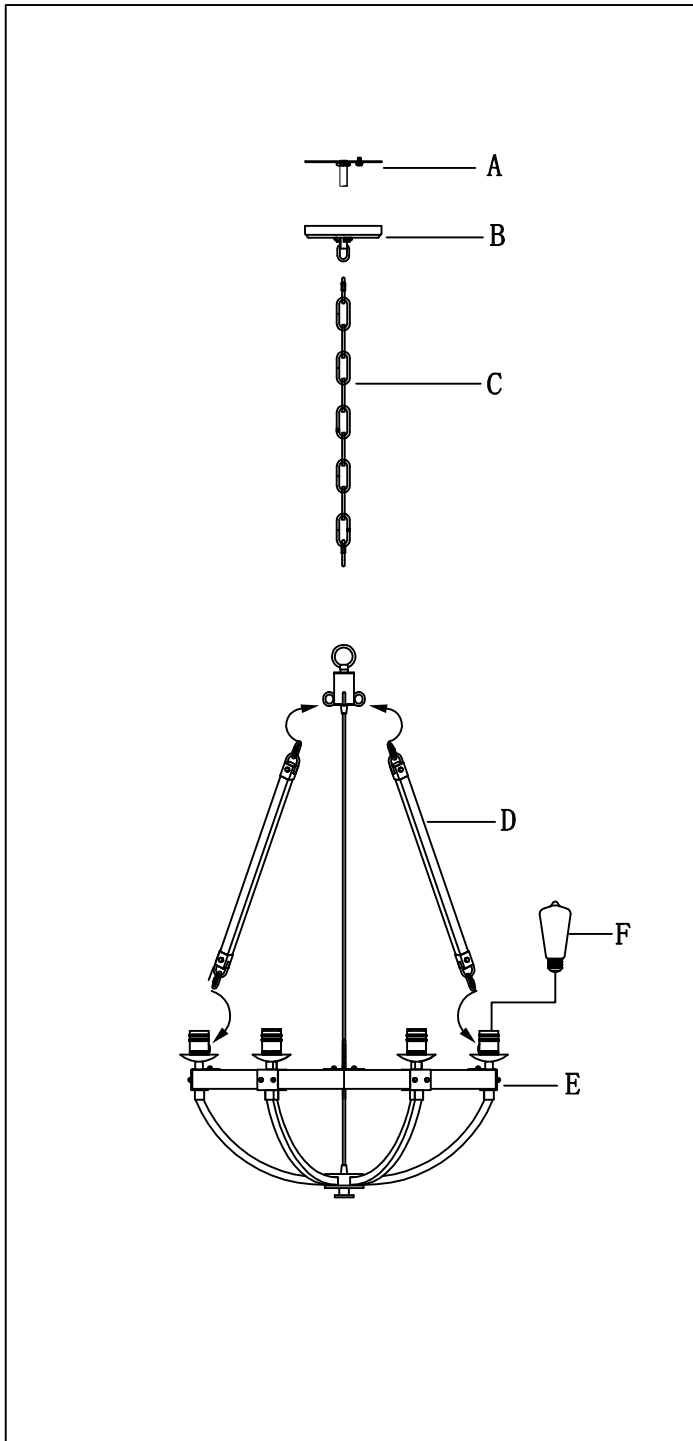


Bulb (Not included) : 6\*MB 60W

**IMPORTANT:** Turn off power at the main fuse or circuit breaker box before starting installation



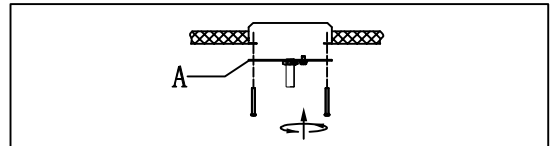
**Locate all hardware & components before discarding packaging**



**Cleaning & Care:**

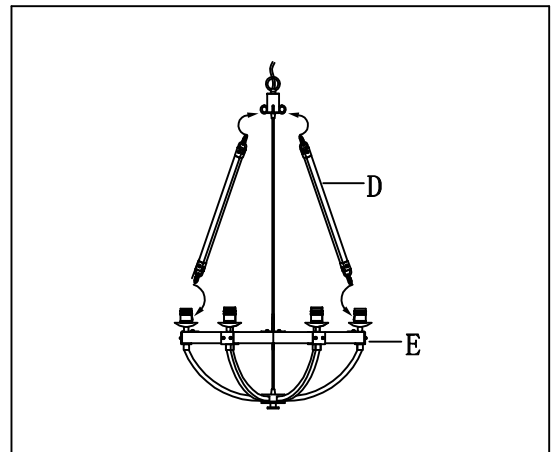
Clean with soft cloth and a mild detergent.  
Do not use abrasive cleaner.

1.)



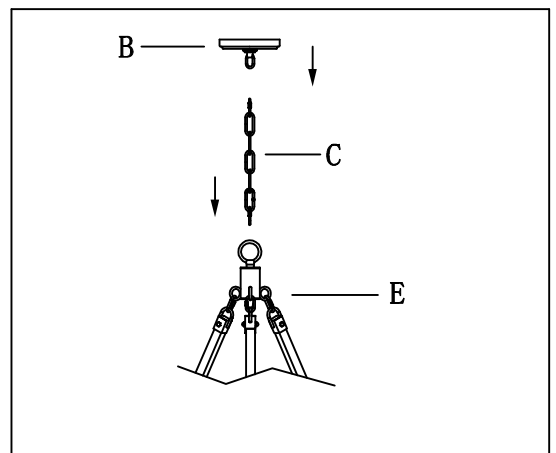
**Step. 1:** Remove mounting bracket (A) from fixture and install to electrical box.

2.)



**Step. 2:** Connect stem (D) to body (E) and top ring.

3.)



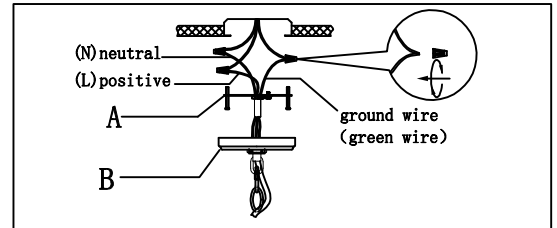
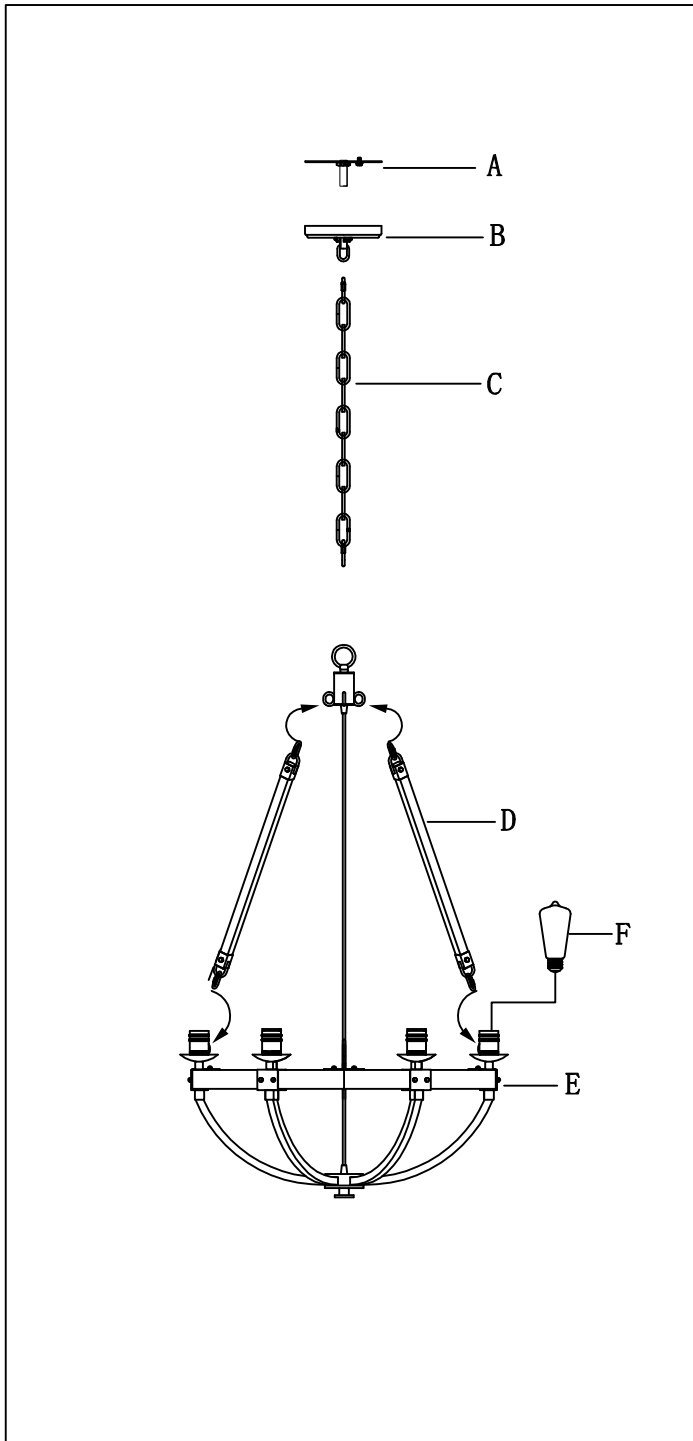
**Step. 3:** Run wire through stems and Chain (C) and combine Chain lengths to meet desired mounting height.

**IMPORTANT:** Turn off power at the main fuse or circuit breaker box before starting installation

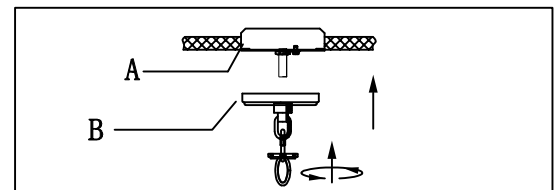


(F) Bulb

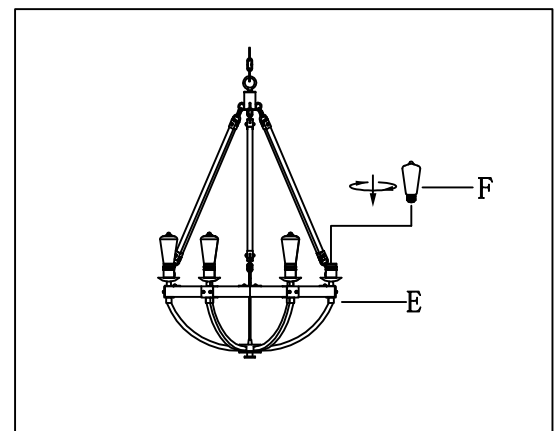
**Locate all hardware & components before discarding packaging**



**Step. 4:** Wire fixture to wires in outlet box. Remove ring from loop and slide down chain. Place canopy onto chain and let slide to top of fixture. install nipple and cross bar into top of chain loop. Wire fixture to wires in outlet box. Copper wire is for Ground.



**Step. 5:** Pull canopy through screw ring up chain to ceiling and tighten securely.



**Step. 6:** Install the bulb.

**Cleaning & Care:**

Clean with soft cloth and a mild detergent.  
Do not use abrasive cleaner.