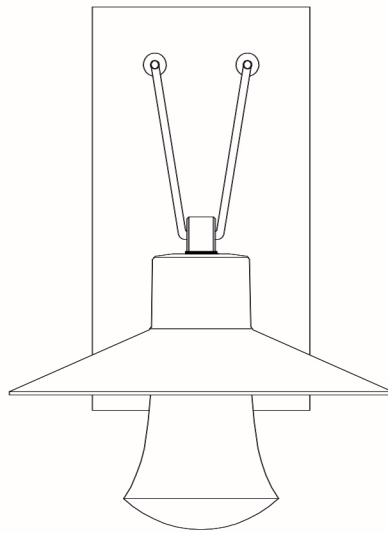




**PRODUCT NAME:** Civic Outdoor Lantern

**ITEM NUMBERS:** 54360 / 54362 / 54364

Please consult your electrician for hanging fixture and wiring.



**WARNING:**

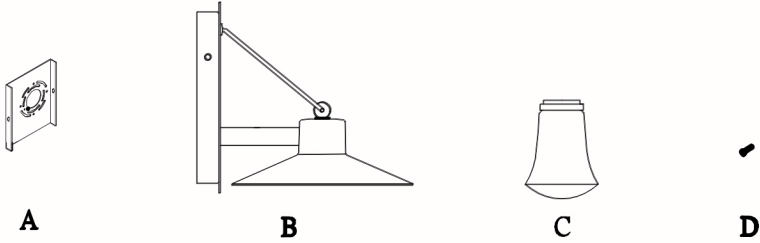
Fixture may be dimmed using an electronic low voltage dimmer.

**Bulb (included):** 6w / 11W/ 11W LED

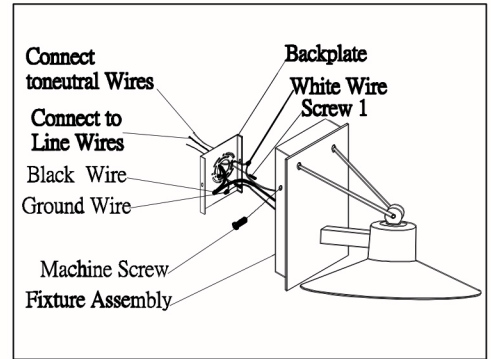
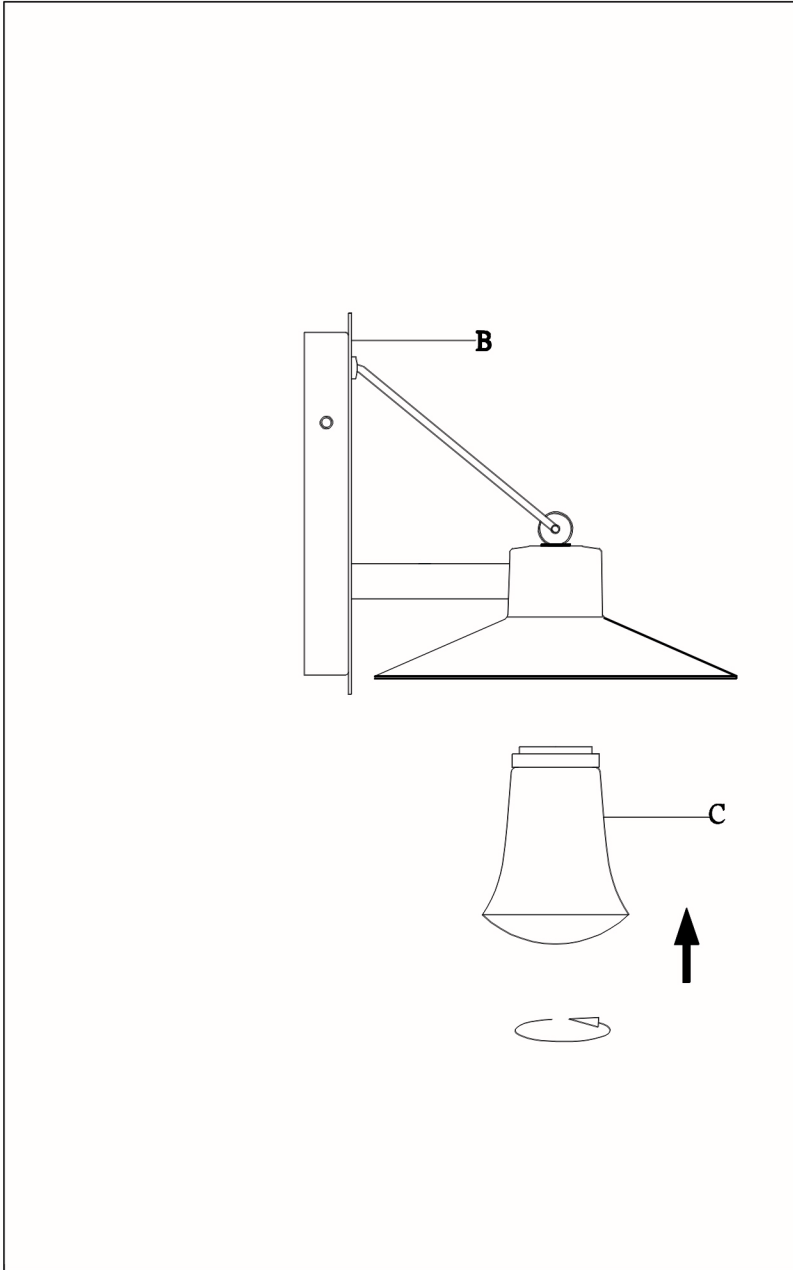
**PRODUCTS ARE NOT INTENDED  
FOR COMMERCIAL USE**

**MADE IN CHINA  
Page 1 of (2)**

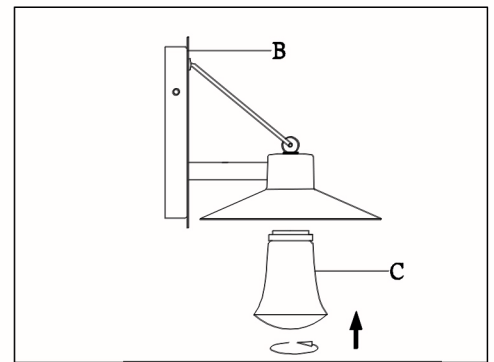
**IMPORTANT: Turn off the power at the main fuse or circuit breaker box before starting installation**



**Locate all hardware & components before discarding packaging**



**Step 1:** Remove mounting bracket from fixture and install it to the electrical box. Wire fixture to wires in outlet box. Green wire is for ground



**Step 2:** Twist glass to lock until tight.

**Cleaning & Care:**

Clean with soft cloth and a mild detergent.  
Do not use abrasive cleaner.