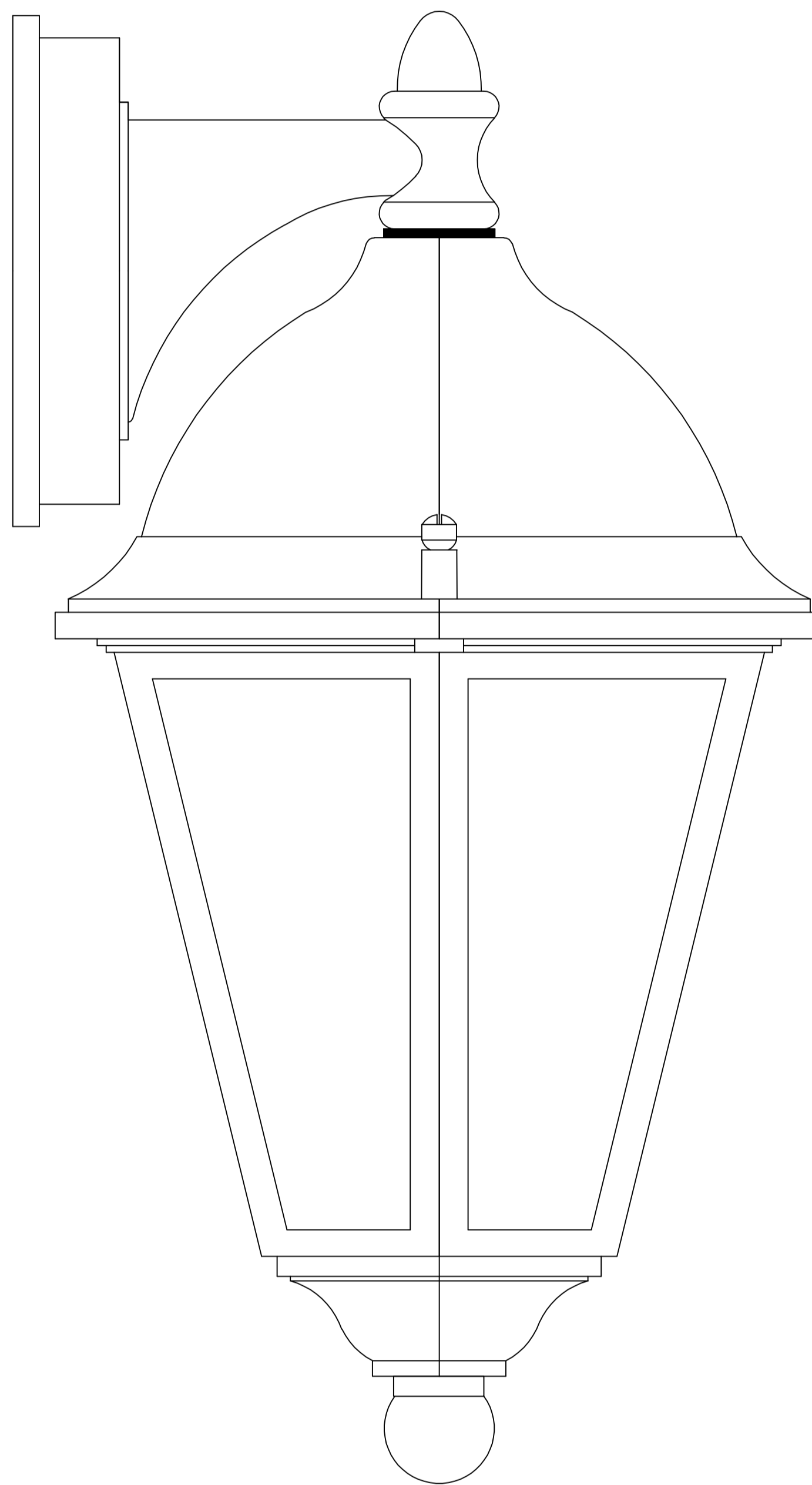




PRODUCT NAME: Westlake
ITEM NUMBER: 65100

Please consult your electrician for hanging fixture and wiring.



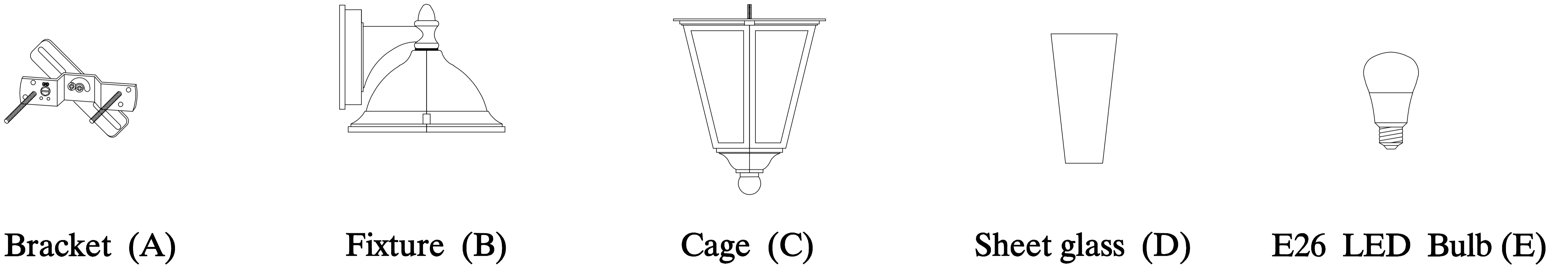
To prevent water intrusion, caulk around back-plate where fixture meets the wall using outdoor silicone sealant. Leave a small gap at the bottom to allow moisture to exit.

Bulb(included): 1×9W E26 LED

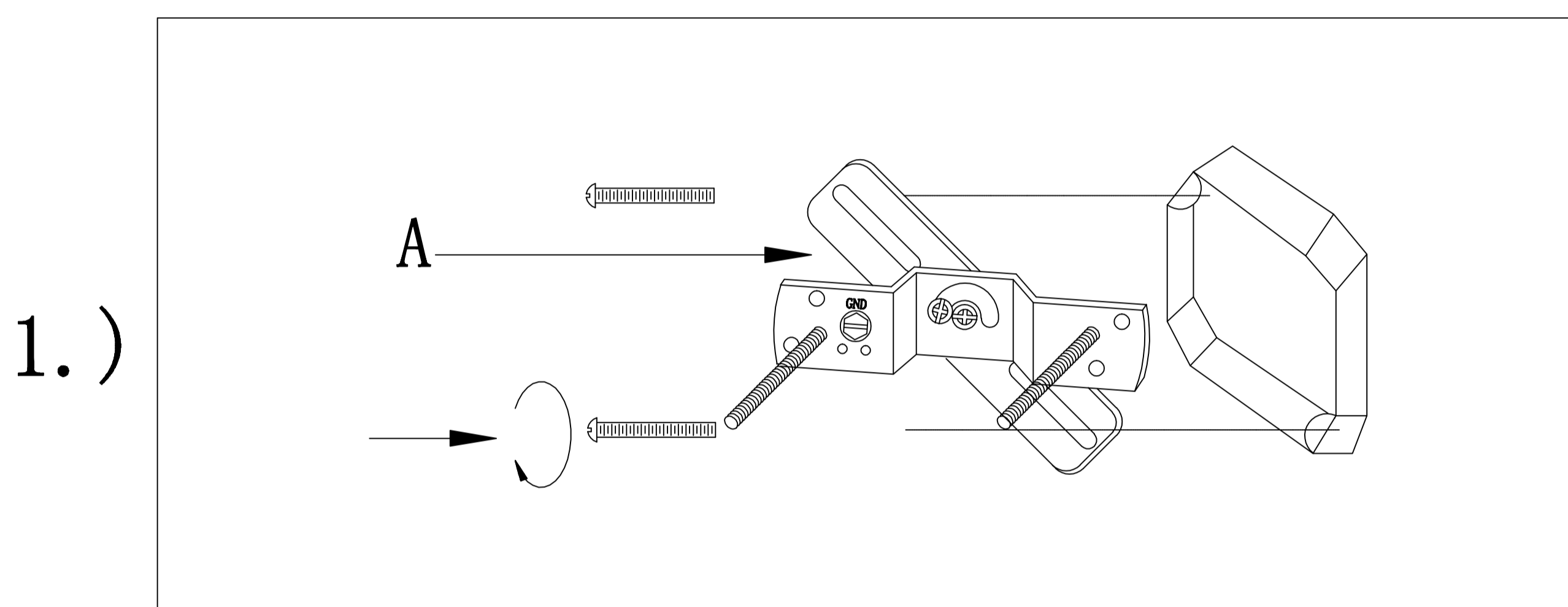
MADE IN CHINA

PRODUCT NAME: Westlake
ITEM NUMBER: 65100

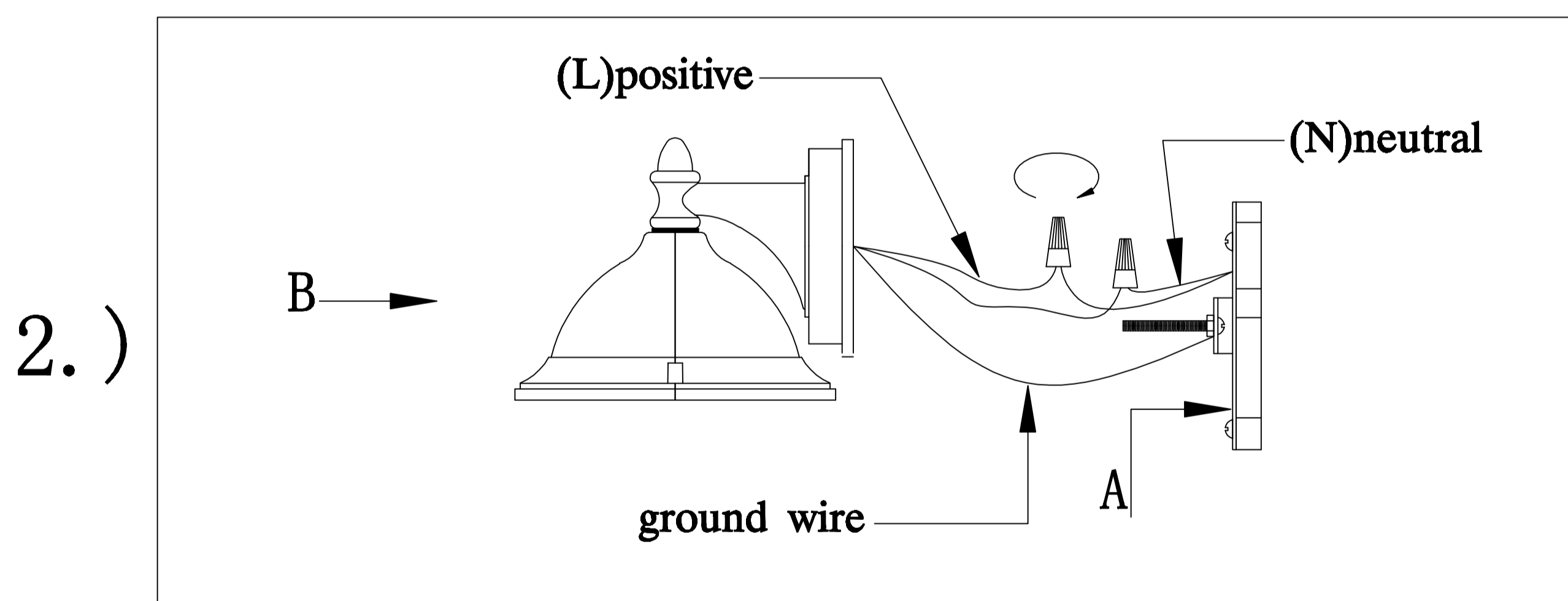
IMPORTANT: Turn off the power at the main fuse or circuit breaker box before starting installation.



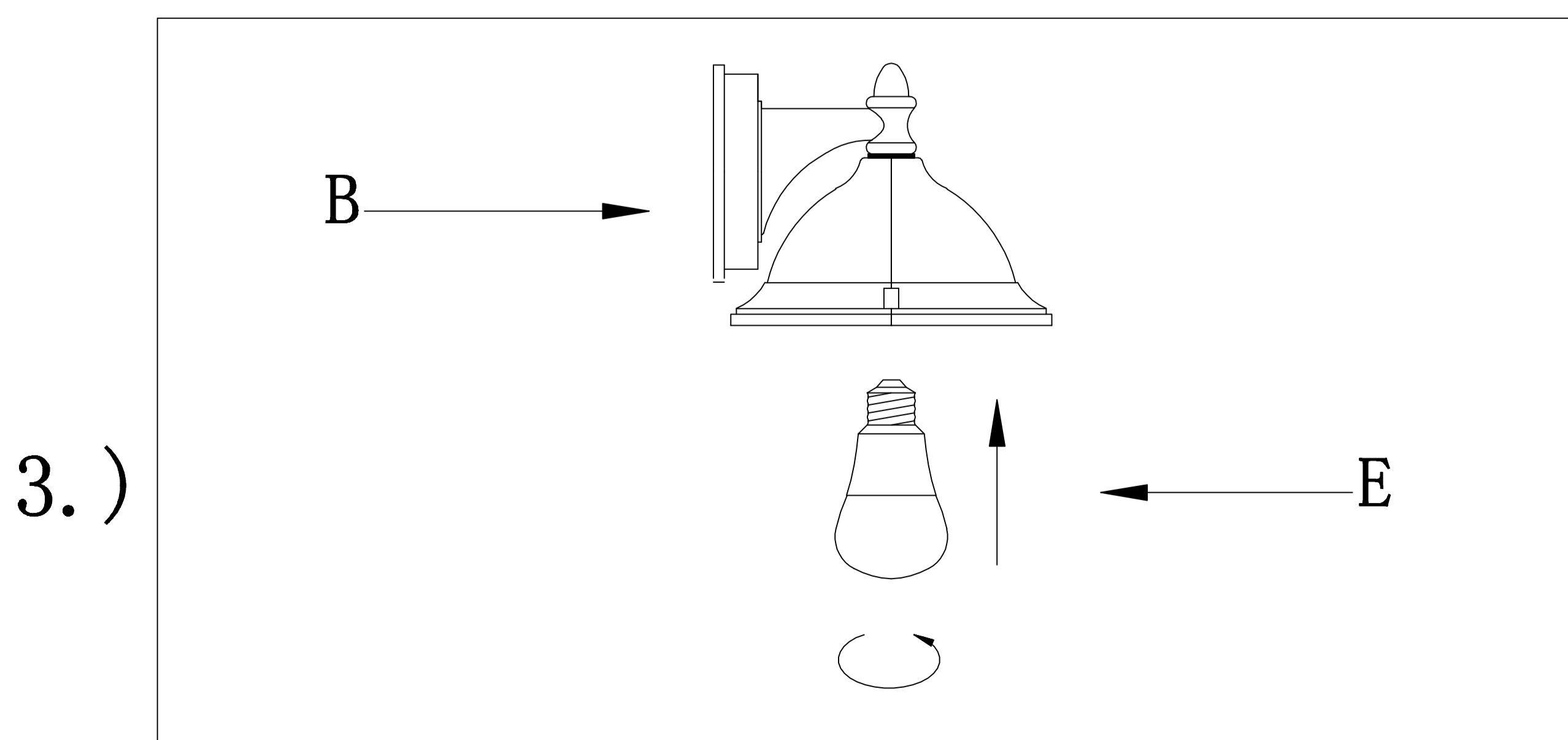
Locate all hardware & components before discarding packaging



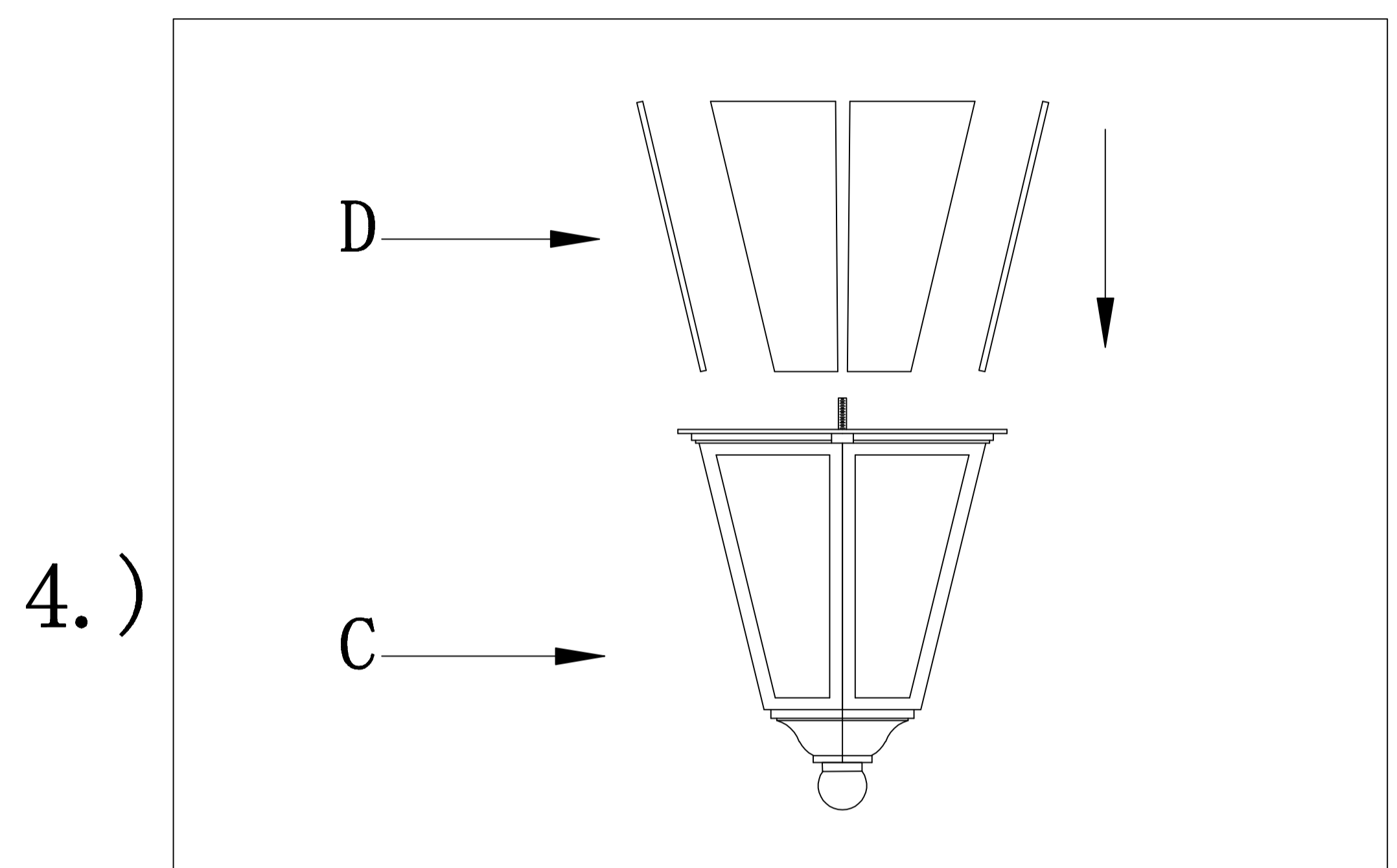
Step.1: Remove mounting bracket from fixture(B) and install to electrical box. then wire fixture to wires in outlet box. Copper wire is for Ground.



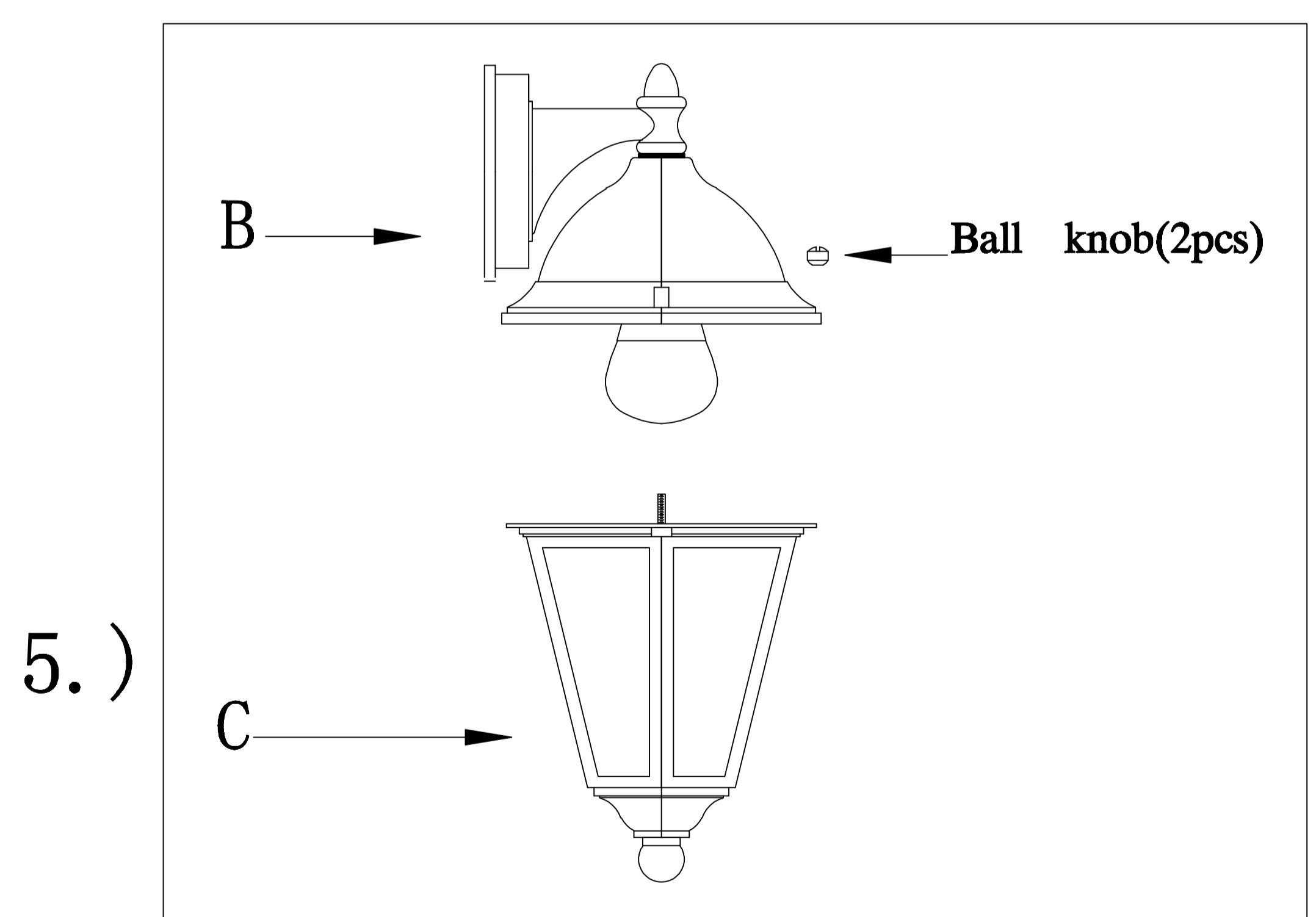
Step.2: Attach back plate to mounting bracket and tighten ball nuts so fixture meets wall. Caulk fixture where back plate meets the wall with silicone sealant.



Step.3: Install E26 LED bulb(E)



Step.4: Install the sheet glass(D) into the cage(C)



Step.5: Attach cage(C) to fixture, using ball knobs.

Cleaning & Care:
Clean with soft cloth and a mild detergent.
Do not use abrasive cleaner.

MADE IN CHINA