

INSTALLATION INSTRUCTION FOR 1424

WARNING! SHUT POWER OFF AT FUSE OR CIRCUIT BREAKER .
AVERTISSEMENT! COUPER LE COURANT AU NIVEAU DES FUSIBLES OU DU DISJONCTEUR.

PREPARATION

1. Shut off the power at the circuit breaker and remove the old fixture, including the mounting hardware.
2. Carefully remove the fixture from the carton and check that all parts are included as shown in the illustration.

ASSEMBLING THE FIXTURE (Fig. 1)

3. Spread the arms (E1) so that the arms (E1) are at equal distance from each other.
4. Thread the nut (G) onto the nipple (H), then thread the nipple (H) into the coupling (F) and tighten with the nut (G).
5. Slide the tube (I), cap (K), iron washer (L), plastic washer (M), glass (J), plastic washer (N) and iron washer (O) over the nipple (H) and secure with the nut (P).
6. Slide the cap (Q) over the nipple (H), and secure with the finial (R).

MOUNTING THE FIXTURE (Fig.1)

7. Thread the two mounting screws (C) (Size: #8-32*1.4"L) part way into the circular strap (A). Secure the circular strap (A) to junction box with the junction box screws (B) (Size: #8-32*0.6"L) through slotted holes in circular strap (A). The side of the mounting bar marked "GND" must face out.

CONNECTING THE WIRES (Fig. 2)

8. At this point, connect the electrical wires as shown in Fig. 3, making sure that all wire connectors are secured. If your junction box has a ground wire (green or bare copper), connect the fixture's ground wire directly to the mounting plate using the green screw provided. After the wires are connected, tuck them carefully inside the junction box.

COMPLETING THE INSTALLATION (Fig. 1)

9. Raise the canopy (D) allowing for the mounting screws (C) to protrude through the holes on the canopy (D), then secure with the finials (E).
10. Install the light bulb(s) in accordance with the fixture's specifications. **DO NOT EXCEED THE SPECIFIED WATTAGE! (NE PAS DEPASSER LA PUISSANCE NOMINALE MAXIMALE!).**

Your installation is now complete. Return power to the junction box and test the fixture.

Fig. 1

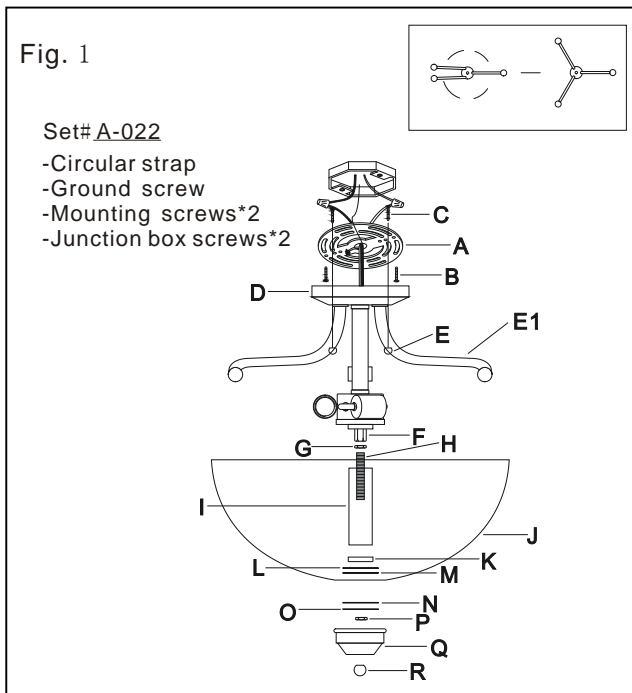


Fig. 2

