

# INSTALLATION INSTRUCTIONS

Item#2354-77

## READ AND SAVE THESE INSTRUCTIONS

**WARNING! SHUT POWER OFF AT FUSE OR CIRCUIT BREAKER.**

**AVERTISSEMENT! COUPER LE COURANT AU NIVEAU DES FUSIBLES OU DU DISJONCTEUR.**

### HANGING THE FIXTURE (Fig. 1)

- Carefully remove the fixture from the carton and check that all parts are included as shown in the illustration.
- Shut off power at the circuit breaker and remove old fixture including the mounting hardware.
- The crossbar (B) contains several pairs of threaded holes, find the pair of holes that match the holes spacing in your Junction box Attach the crossbar (B) to the Junction Box using the two mounting screws (C size:8/32\*27mm). Tighten the screws (C) securely with screwdriver.
- Thread one end of the Nipple (D) into ceiling loop (F), the other end into crossbar (B). Tighten the washer and hex nut until tight.
- Attached fixture stem (L) to fixture body (K).
- Screw Loop (I) on to fixture body (K) including part (J).
- Use chain connection buckle (G) to attach one end of the chain to the Top loop (I). Close the chain connector.
- Determine correct number of links needed for proper hanging height. Use a pair of chain pliers to open one link of the Chain (H). Remove the excess chain and discard it.

### INSTALL LIGHT BULB (Fig. 1)

- Install light bulb M (not included) in accordance with the fixture's specifications. (DO NOT EXCEED THE MAXIMUM WATTAGE RATING!!) (NE PAS DEPASSER LA PUISSANCE NOMINALE MAXIMALE!)

- Slip canopy loop collar (Q) and canopy (E) over the chain. Use the other chain connection buckle (G) and attach the other end of the chain to the ceiling loop (F). Close the chain connector.

- Thread the fixture wires and ground wire of the assembled fixture through the chain (H), canopy loop collar (Q), canopy loop (F), canopy (E) and nipple (D) and into the outlet box. Connect the electrical wire as shown in (Fig.2).

- Raise Canopy (E) over the nipple (D) to the ceiling and secure in place by tightening the Canopy loop collar (Q) onto the Canopy Loop (F).

- Attach the fixture body (N) to the top fixture body (K) with provided screws (O) and (P)

### CONNECTING THE WIRES (Fig. 2)

- At this point, make sure that all wire connectors are secured. If your outlet has a ground wire (green or bare copper), connect the fixtures ground wire to it. Otherwise, connect the fixture Ground Wire directly to the circular strap using the Green Screw provided.

### FINISH THE INSTALLATION (Fig. 1)

- Your installation is complete now. Return power to the junction box and test the fixture. **Note: Illustration (Fig.1) on this manual is for installation purposes only. It may or may not be identical to the fixture purchased.**

Fig. 1

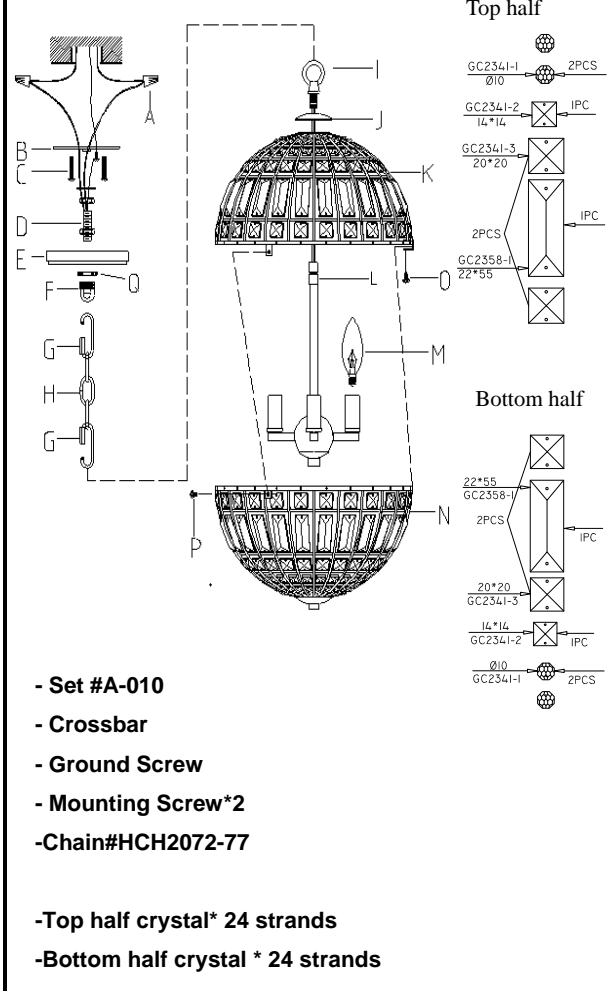
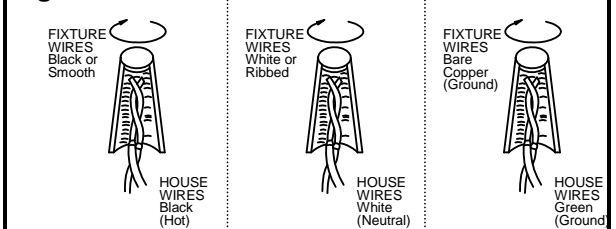


Fig. 2



Notice: It is important to use proper chain pliers (not included) To OPEN and CLOSE the chain included with this fixture. Do not open them with other tools that may twist or stress the chain links. It is important to use proper chain pliers like the ones shown in the diagram.

