

# INSTALLATION INSTRUCTIONS

Item#3552-588, 3553-588, 3554-588

**READ AND SAVE THESE INSTRUCTIONS**

**WARNING! SHUT POWER OFF AT FUSE OR CIRCUIT BREAKER.**

**AVERTISSEMENT! COUPER LE COURANT AU NIVEAU DES FUSIBLES OU DU DISJONCTEUR.**

## MOUNTING THE FIXTURE (Fig.1)

1. Shut off the power at the circuit breaker and remove the old fixture from wall, including the old mounting hardware.
2. Carefully unpack the new fixture and check that all parts are included as shown in the illustration.
3. Attach the mounting plate (A) to the outlet box using the outlet box screws (B) (Size: #8-32N\*L0.5"). The side of the mounting plate marked "GND" must face out.

## CONNECTING THE WIRES (Fig. 2)

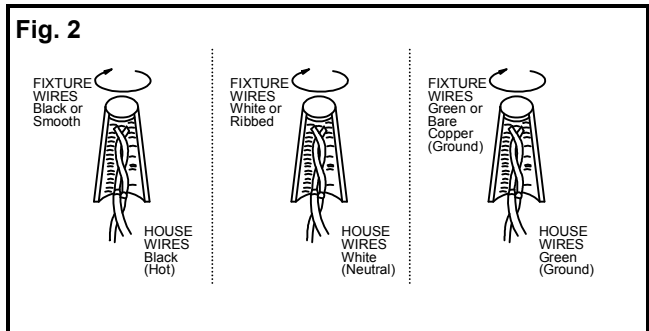
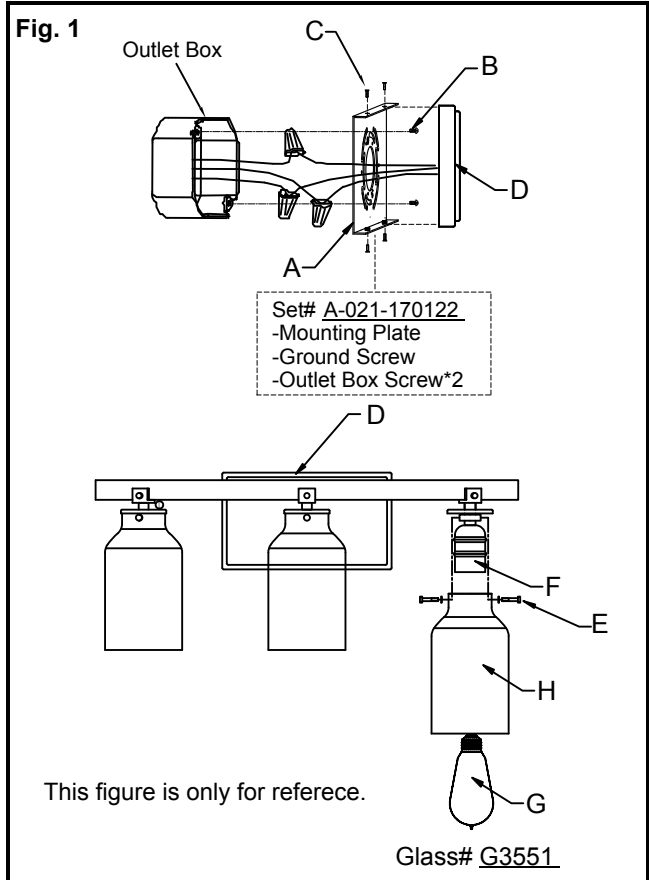
4. At this point, connect the electrical wires as shown in Fig. 2, making sure that all wire connectors are secured. If your outlet box has a ground wire (green or bare copper), connect the fixture's ground wire to it. Otherwise, connect the fixture's ground wire directly to the mounting plate using the green screw provided. After wires are connected, tuck them carefully inside the outlet box.

## FINISHING THE INSTALLATION (Fig.1)

5. Place back plate (D) over mounting plate (A), fasten with screws (C) by using Phillips screwdriver (not included).
6. Place the glass shade (H) over socket cup (F). Using screws (E) secure glass shades to socket cap above socket cup (F).
7. Install the light bulb(s) (G) (supplied) in accordance with the fixture's specifications. **(DO NOT EXCEED THE MAXIMUM WATTAGE RATING!)** **(NE PAS DEPASSER LA PUISSANCE NOMINALE MAXIMALE!).**

Your installation is now complete. Return power to the junction box and test the fixture.

**Note:** Illustration (Fig.1) on this manual is for installation purposes only. It may or may not be identical to the fixture purchased.



**IMPORTANT: FIXTURE SHOULD BE INSTALLED BY A QUALIFIED ELECTRICIAN TO ENSURE PROPER WIRING AND INSTALLATION.**



american  
lighting  
association