

Contemporary Technical Specification

Paper Holder

P5050, P5080

Stock Numbers:

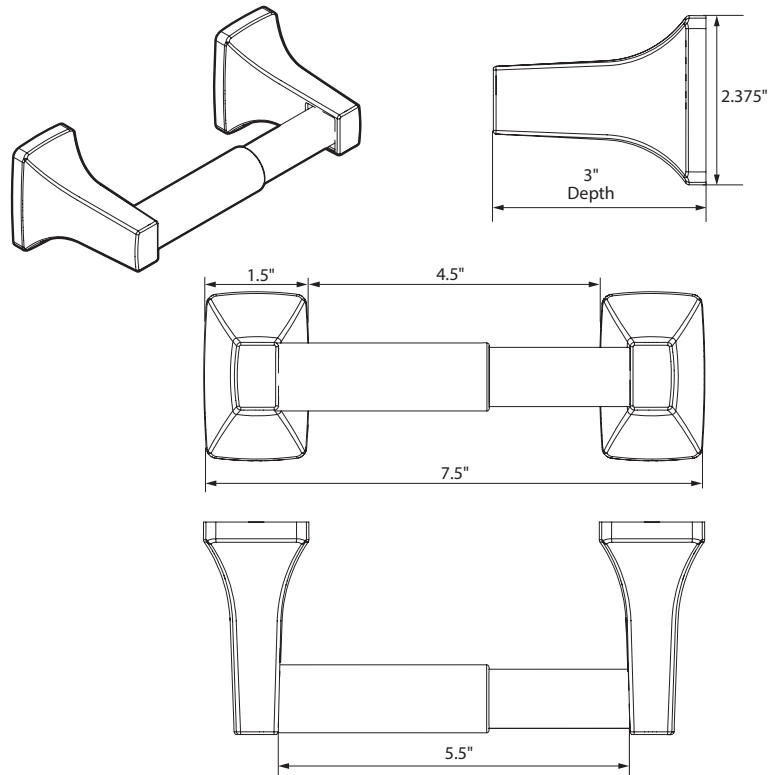
- P5050 – Paper Holder**
Polished Chrome Finish
Concealed Screw Mounting
Matching Roller
- P5050BN – Paper Holder**
Brushed Nickel Finish
Concealed Screw Mounting
Matching Roller
- P5080 – Paper Holder**
Polished Chrome Finish
Concealed Screw Mounting
Matching Roller
- P5080BN – Paper Holder**
Brushed Nickel Finish
Concealed Screw Mounting
Matching Roller

“P” - Poly Bag Packaging

Materials:

Paper Holder posts are die cast from highest quality zinc alloy (zamac). 5050 roller is chrome or brushed nickel finished plastic. 5050 roller is chrome plated. 5080 roller is white plastic. Both rollers are spring loaded.

Dimensions:



Installation Instructions:

1. Remove mounting brackets from back of fixtures by loosening the set screws.
2. Position assembled unit on wall in desired location.
3. Lightly mark the outlines of the bases of the unit.
4. Center mounting brackets inside the outline.
5. Mark hole locations. Attach brackets to wall using 1-3/8" screws (provided).
6. Mount bases on brackets. Tighten set screws on the bottoms.
Note: Wood blocking is preferable behind all wall surfaces.
If wood blocking is not available, the following optional fasteners are suggested: Tile/Masonry – Plastic or Lead Anchors; Plaster/Drywall – Toggle Bolts.

Cleaning Instructions:

To preserve the fine finish of this product, clean only with a soft damp cloth. Dry well. Do not use commercial or abrasive cleaners.

Stock Number: _____ **Paper Holder**
By MOEN



Buy it for looks. Buy it for life.®

25300 AL MOEN DRIVE • NORTH OLMS TED, OH 44070
CORPORATE HEADQUARTERS: (800) 321-8809 • FAX: (800) 848-6636
INTERNATIONAL: (440) 962-2000 • FAX: (440) 962-2726
CUSTOMER SERVICE (USA): (800) 882-0116 • FAX: (888) 379-2720
WWW.MOEN.COM ©Copyright Moen, Inc.