

Arris™ Technical Specification

Grab Bar

YG0812/YG0818/YG0824/YG0836/YG0842

Stock Numbers:

- YG0812CH - 12" Grab Bar
Chrome Finish
- YG0818CH - 18" Grab Bar
Chrome Finish
- YG0824CH - 24" Grab Bar
Chrome Finish
- YG0836CH - 36" Grab Bar
Chrome Finish
- YG0842CH - 42" Grab Bar
Chrome Finish
- YG0812BN - 12" Grab Bar
Brushed Nickel Finish
- YG0818BN - 18" Grab Bar
Brushed Nickel Finish
- YG0824BN - 24" Grab Bar
Brushed Nickel Finish
- YG0836BN - 36" Grab Bar
Brushed Nickel Finish
- YG0842BN - 42" Grab Bar
Brushed Nickel Finish
- YG0812BL - 12" Grab Bar
Matte Black Finish
- YG0818BL - 18" Grab Bar
Matte Black Finish
- YG0824BL - 24" Grab Bar
Matte Black Finish
- YG0836BL - 36" Grab Bar
Matte Black Finish
- YG0842BL - 42" Grab Bar
Matte Black Finish

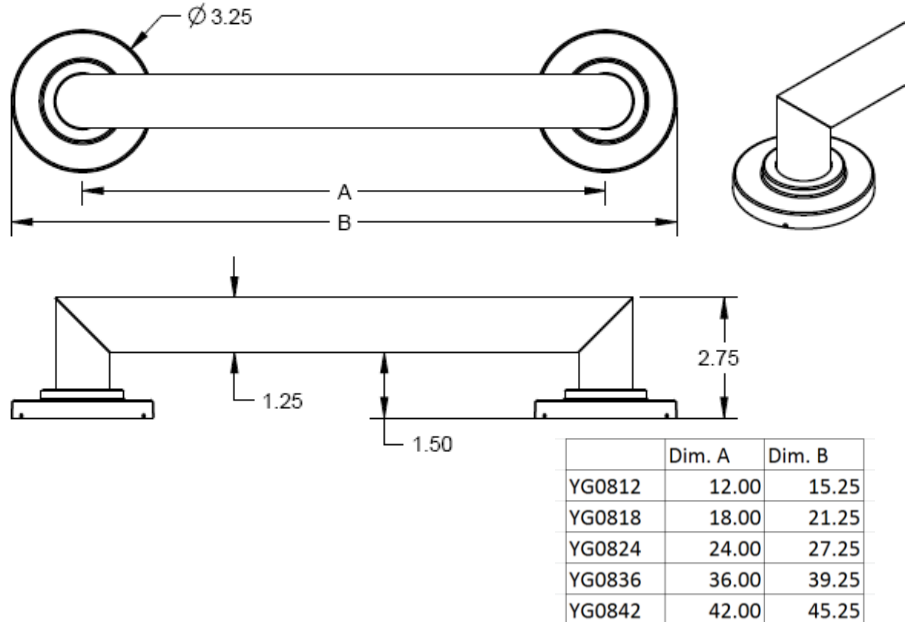
Materials:

Grab Bar posts and bars are constructed of stainless steel.

Compliance:

- ADA, ANSI, ASTM, CSA
- Tested to 500 lbs. pull

Dimensions:



Installation Instructions:

1. Please note that screws MUST be mounted into a wood stud for secure installation.
2. Decide whether you would like to position your grab bar horizontally, vertically or at an angle, remembering that BOTH ends of the grab bar MUST be positioned over a wood stud (unless using secure mount anchors).
3. For easier installation and mounting remove 3 setscrews from each flange and remove bar from SecureMount™ Flange.
4. Remove cover and re-assemble flange to bar by tightening 3 set screws.
5. Place grab bar and mark three mounting locations on each of the two grab bar flanges with a pencil.
6. Drill 1/8 diameter pilot holes at each screw location. Make sure to drill into the stud.
7. Install 3 screws and washers each SecureMount™ flange and tighten until secure. If desired, apply silicone caulk to the back of the SecureMount™ plate to guard against water penetration.
8. After screws are installed each side, dis-assemble bar from SecureMount™ flange by removing set screws.
9. Re-install covers.
10. Place bar over SecureMount™ flanges and tighten all set screws.
11. Snap on covers.

Cleaning Instructions:

To preserve the fine finish of this product, clean only with a soft damp cloth. Dry well. Do not use commercial or abrasive cleaners.

Stock Number: _____ Grab Bar
By MOEN, Inc.

MOEN®

25300 AL MOEN DRIVE NORTH OLMS TED, OH 44070
CORPORATE HEADQUARTERS: (800) 321-8809 FAX: (800) 848-6636
INTERNATIONAL: (440) 962-2000 FAX: (440) 962-2726
CUSTOMER SERVICE (USA): 800-882-0116 FAX: (888) 379-2720
WWW.MOEN.COM

© Moen Incorporated