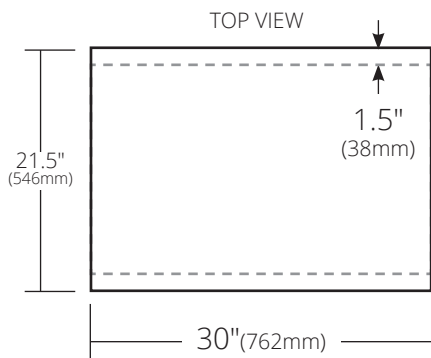
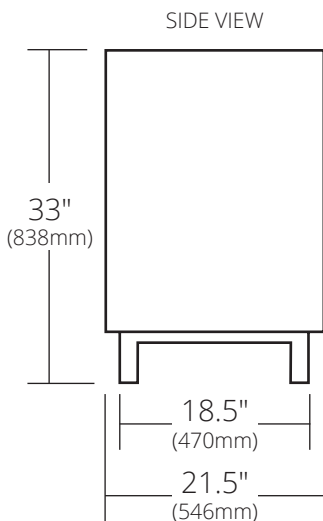
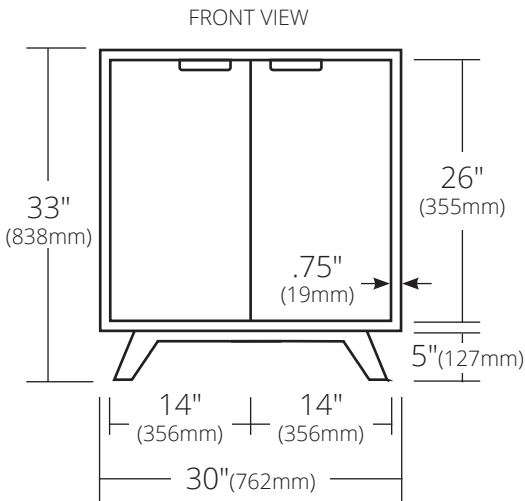


SPECIFICATIONS

**TOPANGA 30" VANITY**

*Topanga Series*



VNA301

**PRODUCT DETAILS**

- 30"w x 21.5"d x 33"h (762mm x 546mm x 838mm)
- FSC® Certified Walnut
- Two soft-close doors
- One adjustable shelf
- Low VOC water-resistant finish

**INSTALLATION**

- Freestanding vanity base

**COORDINATING PRODUCTS**

- Any Native Trails vanity top

**IMPORTANT**

Due to the handcrafted nature of this product, it will vary in finish, texture, and other details. Dimensions may vary up to ¼" (6mm).