

ASSEMBLY INSTRUCTION**1JRTL**

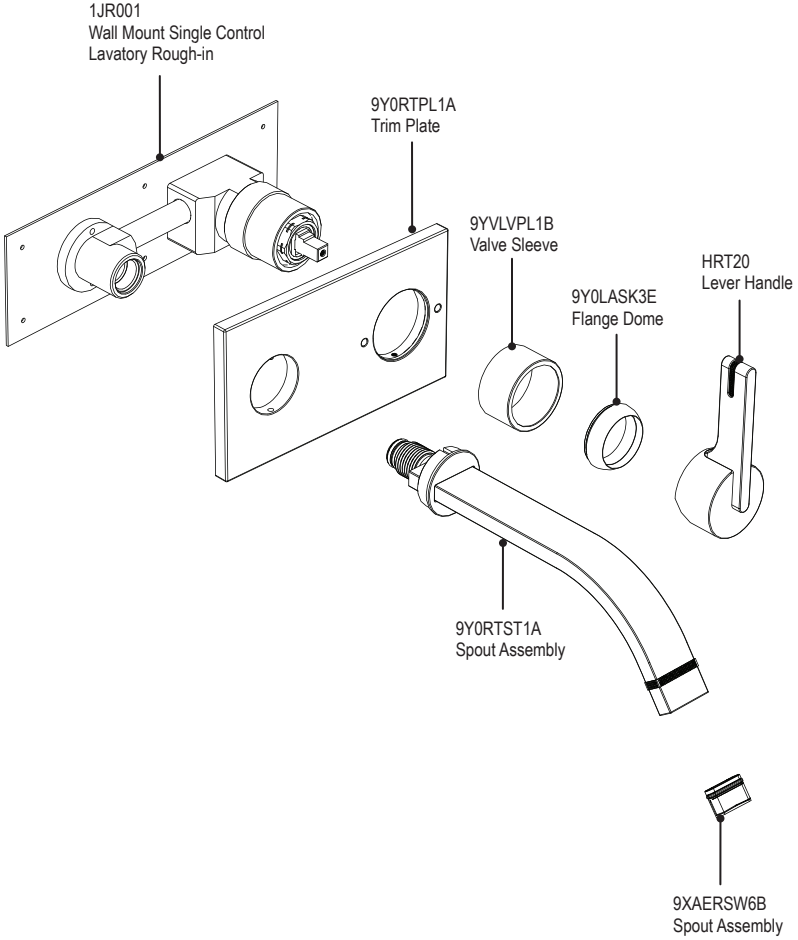
WALL MOUNT SINGLE CONTROL LAVATORY SET

**1JRTL****REMOVAL OF FAUCET:**

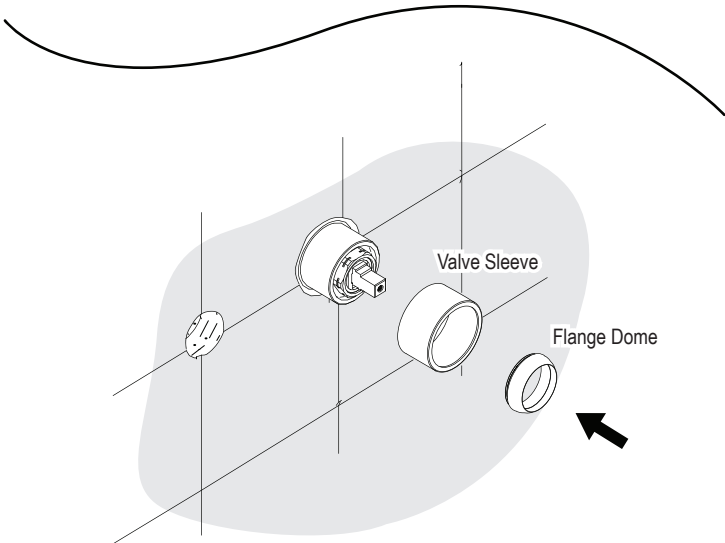
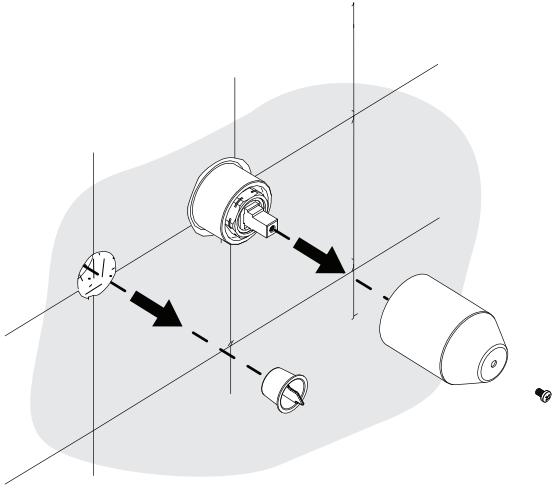
Always turn the water supply off before removing the existing faucet or disassembling a valve. Open both faucet handles to relieve water pressure and to ensure that the water has been successfully turned off.

CARE OF FAUCET:

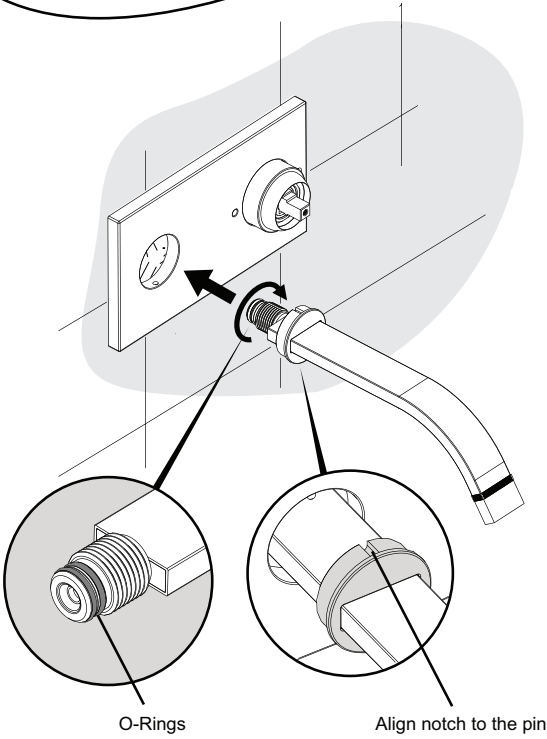
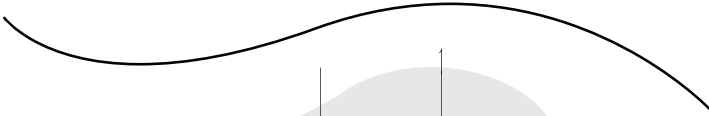
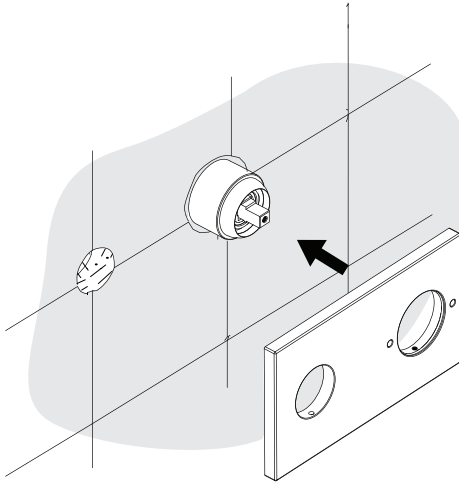
The use of warm water and a soft cloth is all that is required to clean Rubinet products. The patina of our living finishes (Oil Rubbed Bronze & Tuscan Brass) will change as a result of normal use. Applying Mineral Oil on occasion will create a softer look, subtle color changes and character.



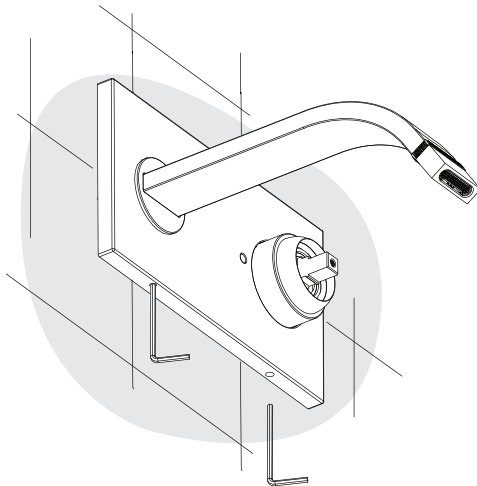
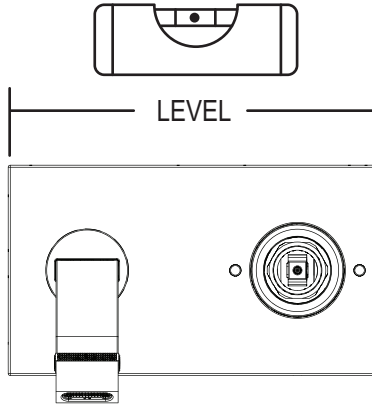
1



2

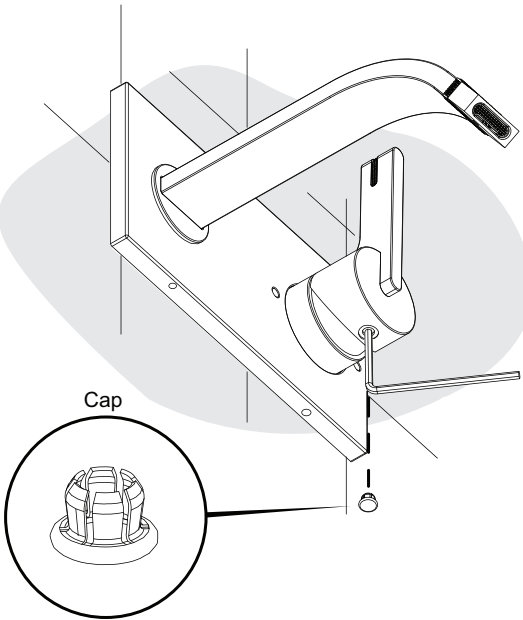
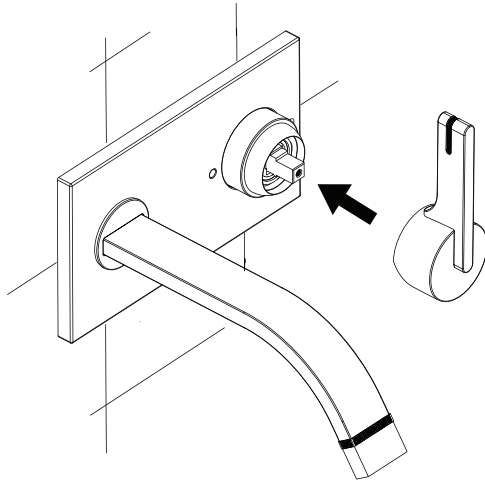


3

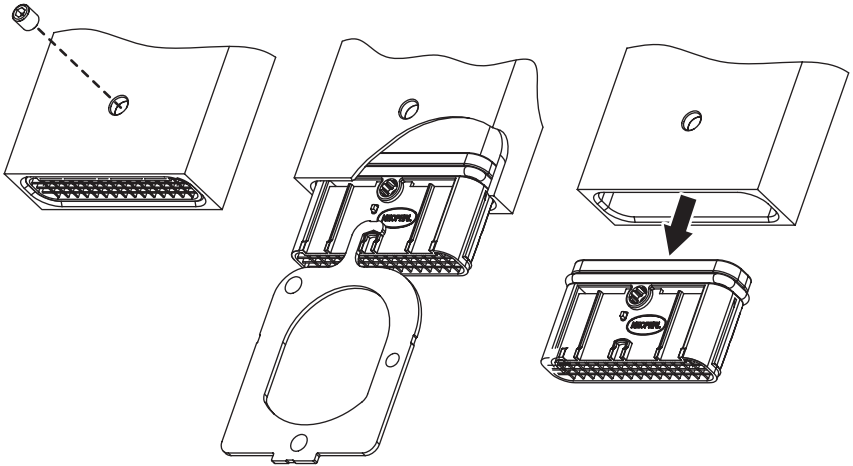


Secure plate by tightening set screws.

4

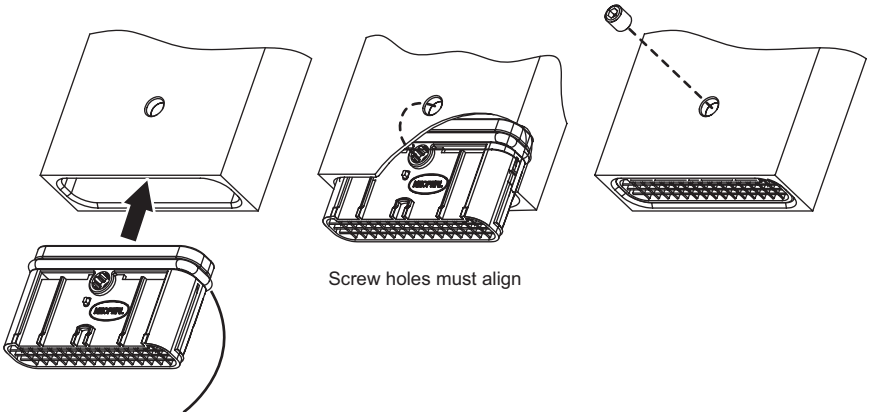


AERATOR DISASSEMBLY



DISASSEMBLING KEY

AERATOR REASSEMBLY

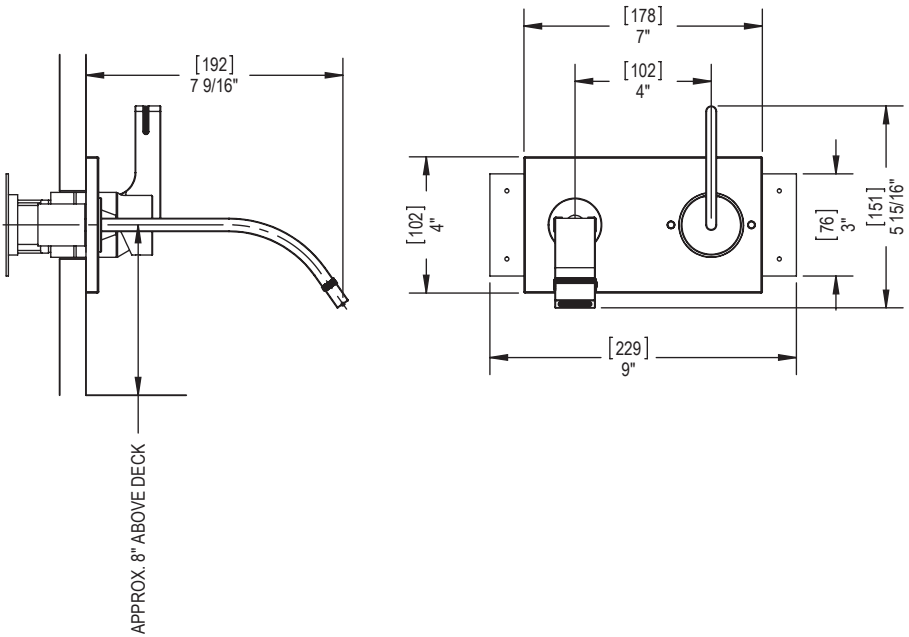


Screw holes must align

Note:
For easy installation,
use soapy water on seal ring
DO NOT USE GREASE

FEATURES:

- Brass construction with choice of 21 finishes
- Single Control Lever Handle
- Ceramic Disk Cartridge - Volume & Temperature control
- 1/2" NPT connection
- 1.0 gpm @ 60 psi



CONTACT US:

If you need assistance with installation, replacement parts or have any questions regarding your Rubinet product, please call a Customer Service representative at: 905-851-6781 toll free 1-800-461-5901 or visit www.rubinet.com