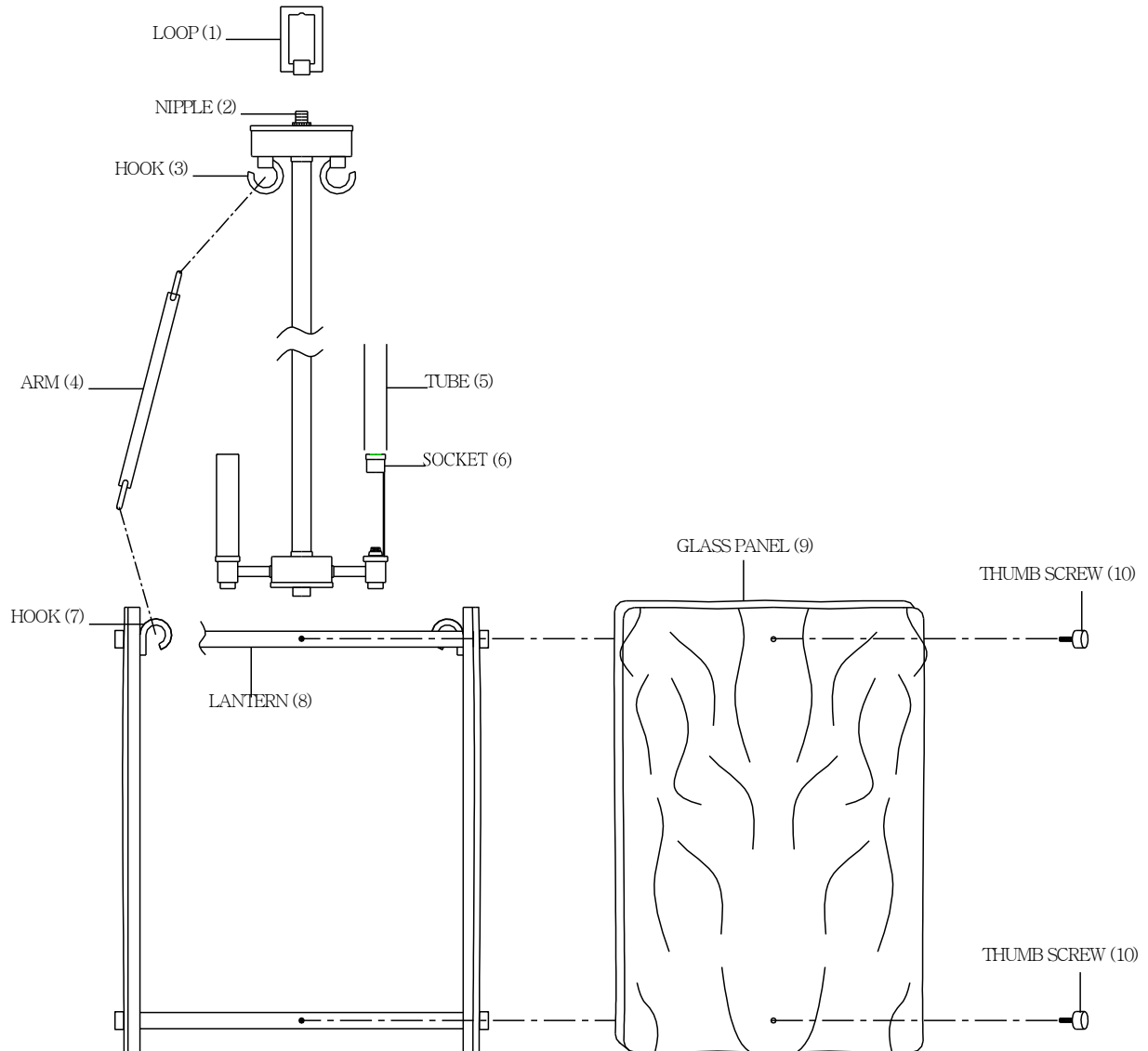




ITEM NO: 3-3041-4-13

LIGHTING



INSTALLATION INSTRUCTIONS

1. Carefully remove the fixture out of the carton, and check that all parts are included referring to the above illustration. Make sure not to misplace any parts that are needed for the installation;
2. Install the glass panel (9) onto lantern (8), then secure them with thumb screw (10).
3. Install the arm (4) onto hook (7), hook (3). Install the loop (1) onto nipple (2).
4. The fixture is assembled!