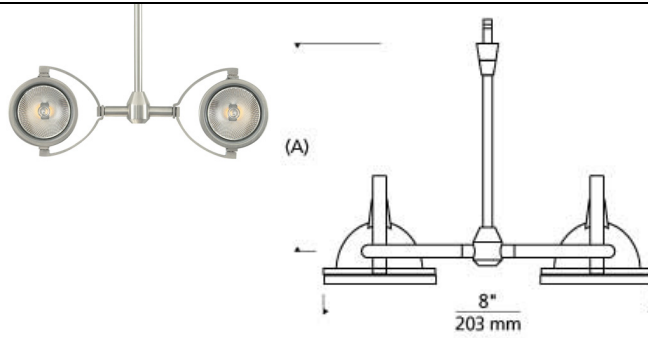


LOW - VOLTAGE HEADS

Elton Head T20

DESCRIPTION

The Elton display head by Tech Lighting combines design simplicity with practical technology. This simple display head puts light where you need it the most featuring double heads that rotate a full 360° and pivot 360° to direct light beam to the desired location. The Elton head is available in three on-trend finishes and can be customized to hang at five distinct stem lengths. Diversify the overall look and feel of the Elton by combining with the complementary Monorail or Monopoint systems by Tech Lighting. This low-voltage display head is ideal for commercial lighting applications such as retail stores, libraries and galleries. The Elton ships with an integrated lens holder to accommodate a fully dimmable MR16 lamp (sold separately). Integral louver lens holders can hold a single glass lens (sold separately) or an eggcrate louver (two included). Two low-voltage, MR16 lamps of up to 20 watts each (not included). Dimmable with Low-Voltage electronic or magnetic dimmer (based on transformer).



INSTALLATION

Socket terminates with FreeJack male connector, which may be installed into a system connector. Elements ordered with a system prefix include a connector for that system. For use on T~TRAK, order FreeJack version and T~TRAK FreeJack Connector (sold separately).

ACCESSORIES & OPTICAL CONTROLS

Eggcrate Louver

WEIGHT

0.5lb / 0.23kg ±



straight

with eggcrate
louver

ORDERING INFORMATION

700 SYSTEM	ELT	LENGTH (A)	FINISH
FJ	FREEJACK	03 3"	Z ANTIQUE BRONZE
MP	MONOPOINT	06 6"	S SATIN NICKEL
MO	MONORAIL	12 12"	
MO2	TWO-CIRCUIT MONORAIL		
WMO	WALL MONORAIL		

Note: MP includes 4" Round Flush Canopy.



Tech Lighting, L.L.C.

700 ____ ELT ____ ____

FIXTURE TYPE: _____

JOB NAME: _____

NOTES: _____



©2019 Tech Lighting, L.L.C. All Rights Reserved. The "Tech Lighting" graphic is a registered trademark of Tech Lighting, L.L.C. Tech Lighting reserves the right to change specifications for product improvements without notification.