



DESCRIPTION:

- Offset Drain (Left or Right).
- Single threshold.
- High gloss / Crack-resistant acrylic.
- Textured bottom.
- Made in Canada.
- Complies with CSA & IAPMO standards.

ADA COMPLIANT



The Barrier Free Shower Base is engineered to allow wheelchair entry without the need for recess or a ramp.

AVAILABLE COLOURS:

- White (Default).
- Black.
- Biscuit.

SHIPPING DIMENSIONS

62 x 47 x 6" / 1575 x 1194 x 152mm

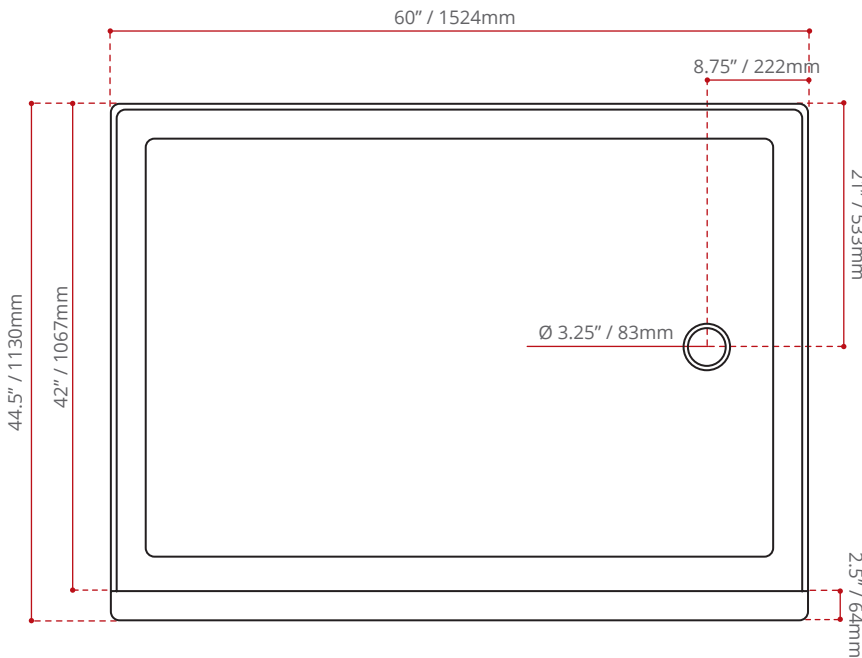
NET WEIGHT

TBA

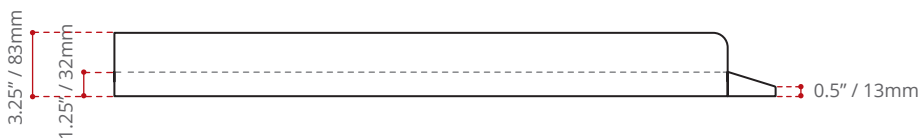
GROSS WEIGHT

TBA

TOP VIEW:



SIDE VIEW:



Measurements may vary ±5mm
- Diagram NOT to scale -