



### DESCRIPTION:

- Offset Drain (Left or Right).
- Single threshold.
- High gloss / Crack-resistant acrylic.
- Textured bottom.
- Made in Canada.
- Complies with CSA & IAPMO standards.

### ADA COMPLIANT



The Barrier Free Shower Base is engineered to allow wheelchair entry without the need for recess or a ramp.

### AVAILABLE COLOURS:

- White (Default).
- Black.
- Biscuit.

### SHIPPING DIMENSIONS

74 x 47 x 6" / 1880 x 1194 x 152mm

### NET WEIGHT

TBA

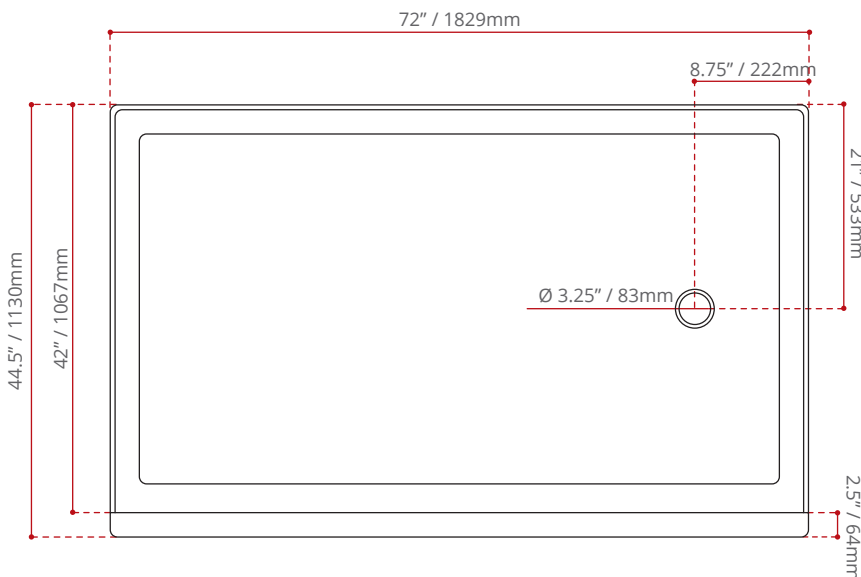
### GROSS WEIGHT

TBA

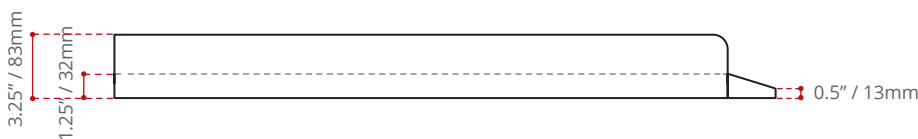
### DISCLAIMER

Shower Base made to order  
NON Returnable item.

### TOP VIEW:



### SIDE VIEW:



Measurements may vary  $\pm 5$ mm  
- Diagram NOT to scale -