



DESCRIPTION:

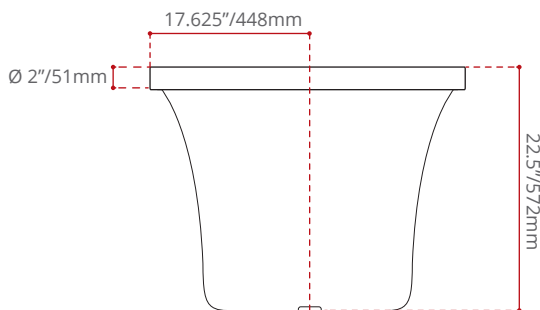
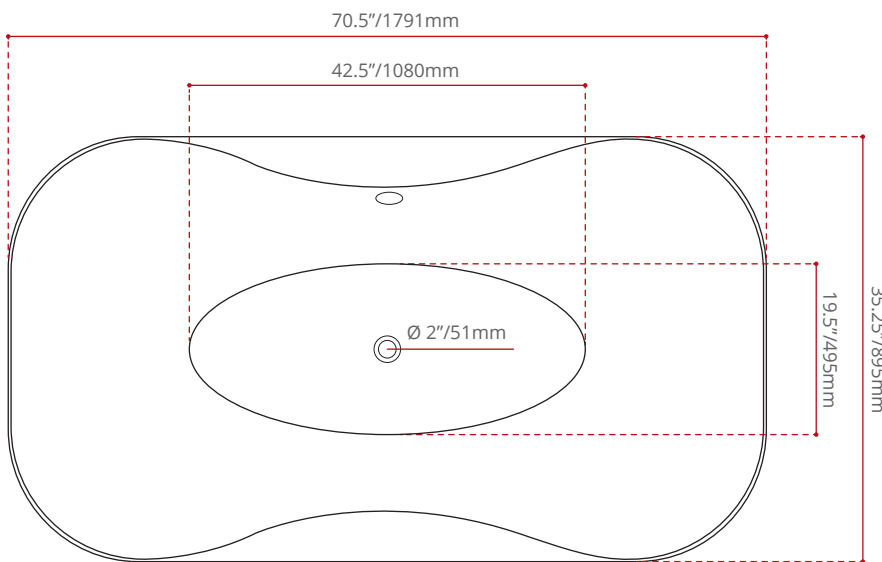
- Contemporary Style
- High gloss / Crack-resistant acrylic.
- Made in Canada.
- Complies with CSA & IAPMO standards.

AVAILABLE OPTIONS:

- Biscuit & Black Colour. ○ ●
- Textured Bottom.

JETTING OPTIONS:

- Lateral Air jets.
- Air illusion jets.
- Filler air jets.
- Square zen jets.
- Neck-Jet massage system.
- Whirlpool jets.
- VIGOR +
- Chromotherapy.
- Aromatherapy.
- Comfort Warm



WATER DEPTH

17\"/>

TUB CAPACITY

113 gal.
430 litres of water

SHIPPING DIMENSIONS

73 x 38 x 26\"/>

NET WEIGHT

32 kg / 70 lbs

GROSS WEIGHT

33 kg / 73 lbs

Measurements may vary ±5mm
- Diagram NOT to scale -

