



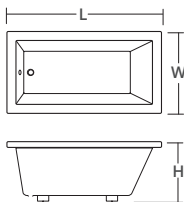
Valley Acrylic has designed the perfect combination of functionality and sophisticated style bathtub. The clean and straight lines of the bathtub allow it to be selected for multiple design applications.

**DESCRIPTION:**

- Modern Style
- End Drain
- Drop-in bathtub
- High gloss / Crack-resistant acrylic
- Made in Canada
- Complies with CSA & IAPMO standards

**MEASUREMENTS:**

- Length: 66" / 1676mm
- Width: 32" / 813mm
- Height: 24" / 610mm



**AVAILABLE COLOURS:**



White -WHT-

**CONFIGURATIONS:**

- Drop-In Texture Bottom
- 12ft. add-on tiling flange
- Integral molded tiling flange

**SHIPPING INFORMATION**

- Length: 68" / 1727mm
- Width: 34" / 864mm
- Height: 26" / 660mm
- Net Weight: 40 kg / 88 lbs
- Gross Weight: 44.5 kg / 98 lbs

**TUB WARRANTY:**

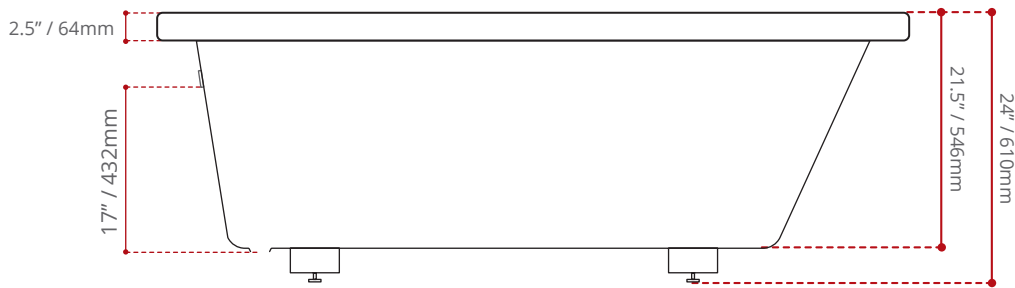
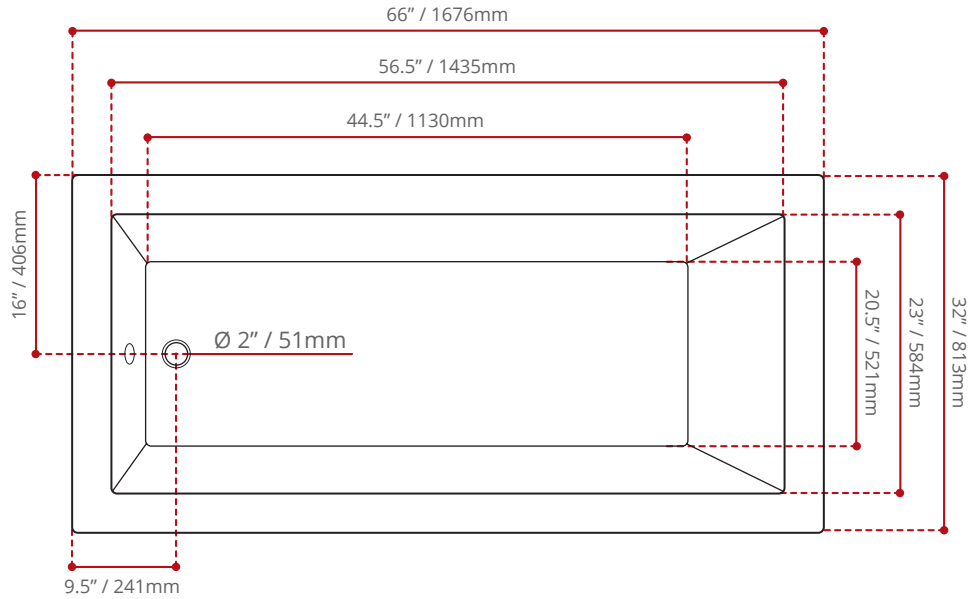
Valley Acrylic's Drop-in bathtubs have a limited warranty for residential use for a period of **20 years** from the original purchase date, against any failure from improper manufacturing defects.

**WATER DEPTH**

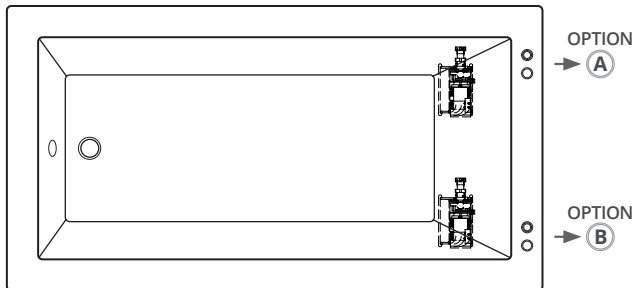
17" / 432mm  
Drain to overflow

**CAPACITY**

67 gal.  
254 litres of water



**PUMP LOCATION OPTIONS:**



**JETTING OPTIONS:**

- Lateral Air jets
- Air illusion jets
- Santé Air
- Square zen jets
- Neck-Jet massage system
- Whirlpool jets
- V-Masseuse
- Chromatherapy
- Aromatherapy
- Comfort Warm

**REQUIRED JETTING ELECTRICAL INFORMATION:**

- |                |              |                        |
|----------------|--------------|------------------------|
| <b>Blower:</b> | <b>Pump:</b> | <b>In-Line Heater:</b> |
| • 120 V        | • 110 V      | • 110 V                |
| • 60 Hz        | • 60 Hz      | • 60 Hz                |
| • 12 amp.      | • 15 amp.    | • 15 amp.              |

**DISCLAIMER:**

Measurements may vary  $\pm \frac{1}{4}$ "  
(Diagram Not to scale)