



DESCRIPTION:

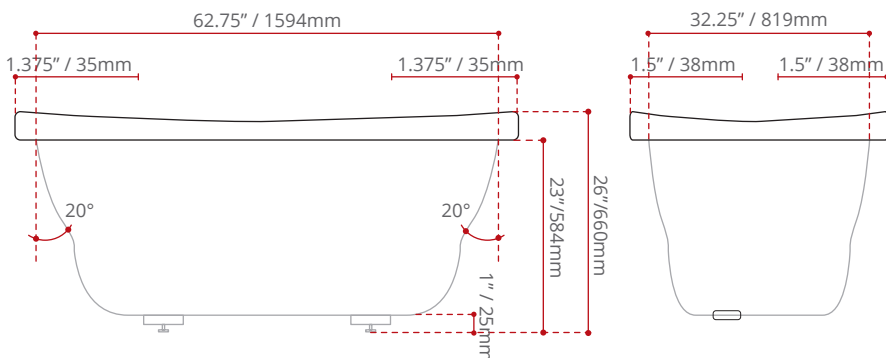
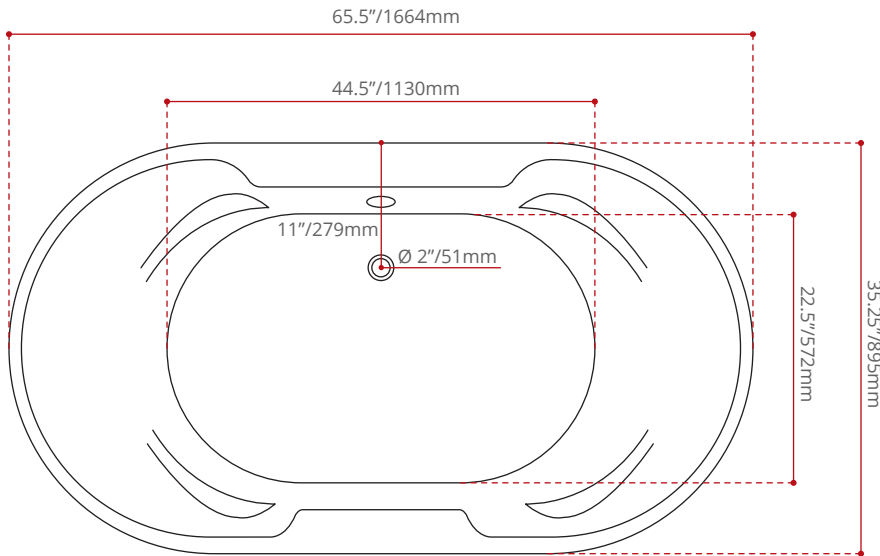
- Contemporary Style.
- High gloss / Crack-resistant acrylic.
- Made in Canada.
- Complies with CSA & IAPMO standards.

AVAILABLE OPTIONS:

- Biscuit & Black Colour.
- Textured Bottom.

JETTING OPTIONS:

- Lateral Air jets.
- Air illusion jets.
- Filler air jets.
- Square zen jets.
- Neck-Jet massage system.
- Whirlpool jets.
- Chromatherapy.
- Aromatherapy.
- Comfort Warm
- VIGOR +



WATER DEPTH

17.75" / 451mm

CAPACITY

109 gal.
412 litres of water

SHIPPING DIMENSIONS

68 x 38 x 28" / 1727 x 965 x 711mm

NET WEIGHT

34 kg / 75 lbs

GROSS WEIGHT

36 kg / 79 lbs

Measurements may vary ± 5mm
- Diagram NOT to scale -

