



**DESCRIPTION:**

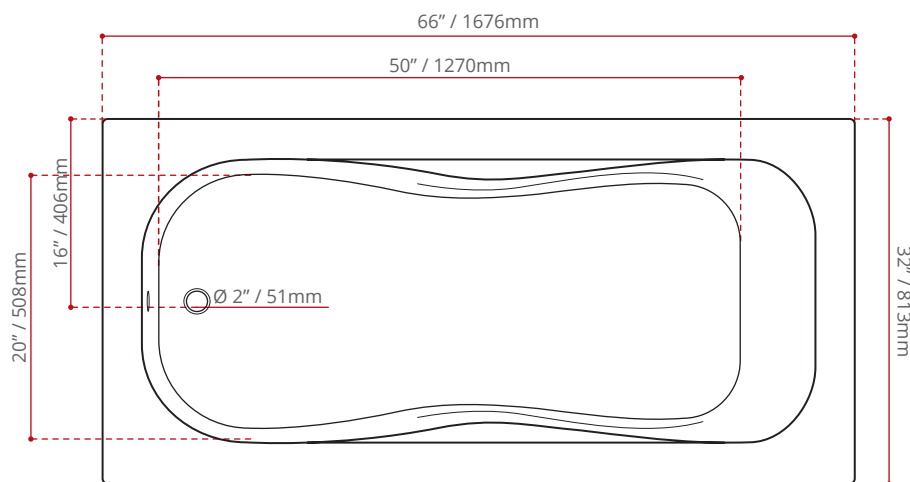
- Classic Style
- High gloss / Crack-resistant acrylic.
- Made in Canada.
- Complies with CSA & IAPMO standards.

**AVAILABLE OPTIONS:**

- Biscuit & Black Colour.
- Textured Bottom.

**JETTING OPTIONS:**

- Lateral Air jets.
- Air illusion jets.
- Filler air jets.
- Square zen jets.
- Neck-Jet massage system.
- Whirlpool jets.
- V-Masseuse.
- Chromatherapy.
- Aromatherapy.
- Comfort Warm



**WATER DEPTH**

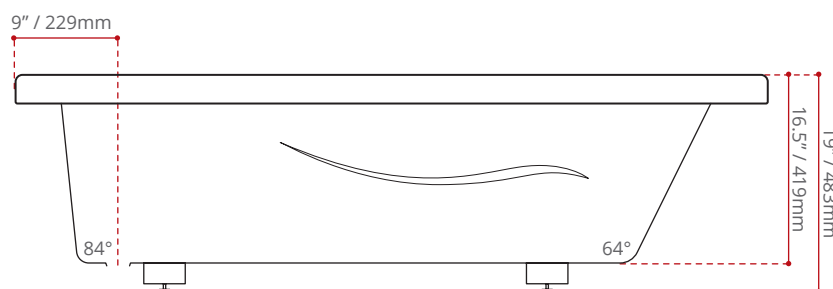
12.5"/318mm

**CAPACITY**

64.8 gal.  
245.6 litres of water

**SHIPPING DIMENSIONS**

68 x 34 x 24" / 1727 x 864 x 610mm



**NET WEIGHT**

30 kg / 66 lbs

**GROSS WEIGHT**

37 kg / 82 lbs

Measurements may vary ±5mm  
- Diagram NOT to scale -