



DESCRIPTION:

- Triple threshold.
- Centred Drain.
- High gloss / Crack-resistant acrylic.
- Made in Canada.
- Complies with CSA & IAPMO standards.

AVAILABLE COLOURS:

- White (Default).
- Black.
- Biscuit.

AVAILABLE OPTIONS:

- Texture Bottom.

SHIPPING DIMENSIONS

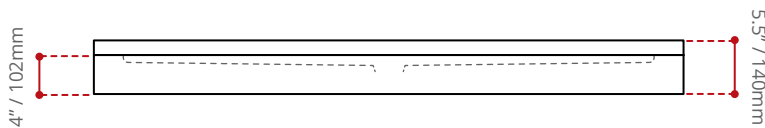
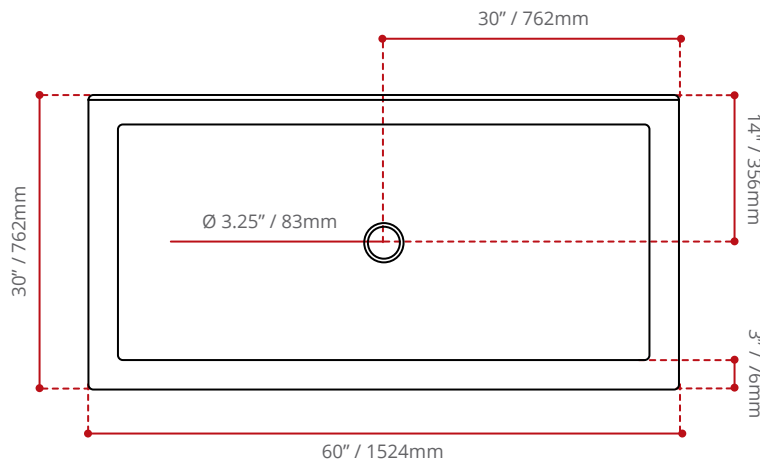
62 x 32 x 8" / 1575 x 813 x 203mm

NET WEIGHT

TBA

GROSS WEIGHT

TBA



Measurements may vary ± 5mm
- Diagram NOT to scale -