



### DESCRIPTION:

- Offset drain.
- Left or Right hand drain option.
- High gloss / Crack - resistant acrylic.
- Made in Canada.
- Complies with CSA & IAPMO standards.

### AVAILABLE COLOURS:



White -WHT-



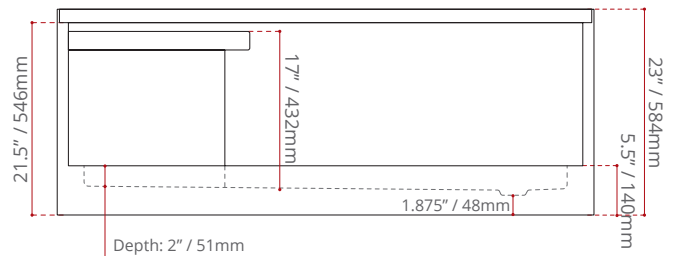
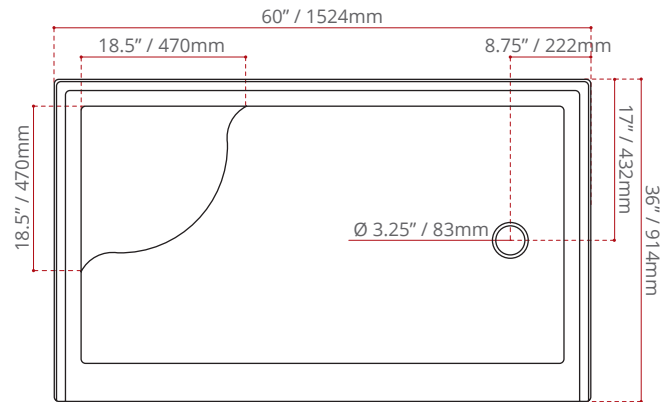
Biscuit -BIS-

### AVAILABLE OPTIONS:

- Texture Bottom.

### SHIPPING INFORMATION:

- **Length:** 62" / 1575mm
- **Width:** 38" / 965mm
- **Height:** 26" / 660mm
- **Net Weight:** 37.5 kg / 83 lbs.
- **Gross Weight:** 40 kg / 88.2 lbs.



**DISCLAIMER:**  
Measurements may vary  $\pm \frac{1}{4}$ "  
(Diagram Not to scale)