

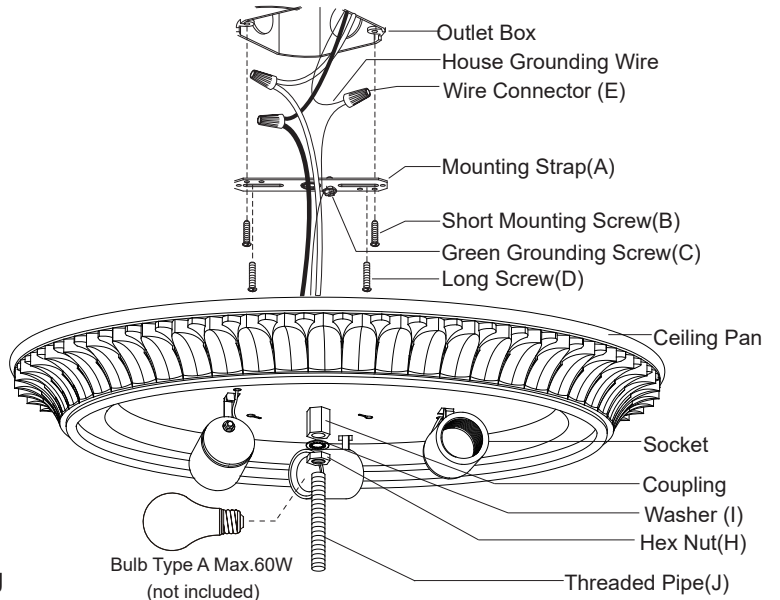
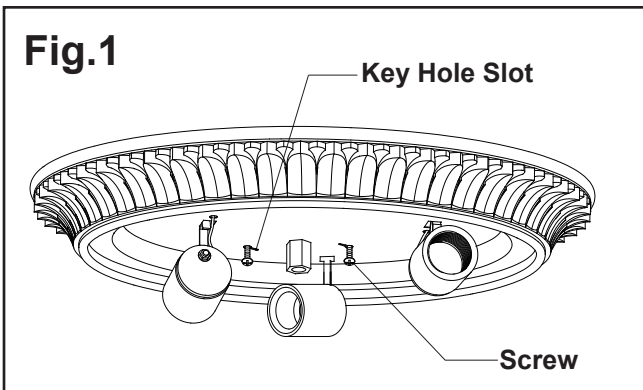
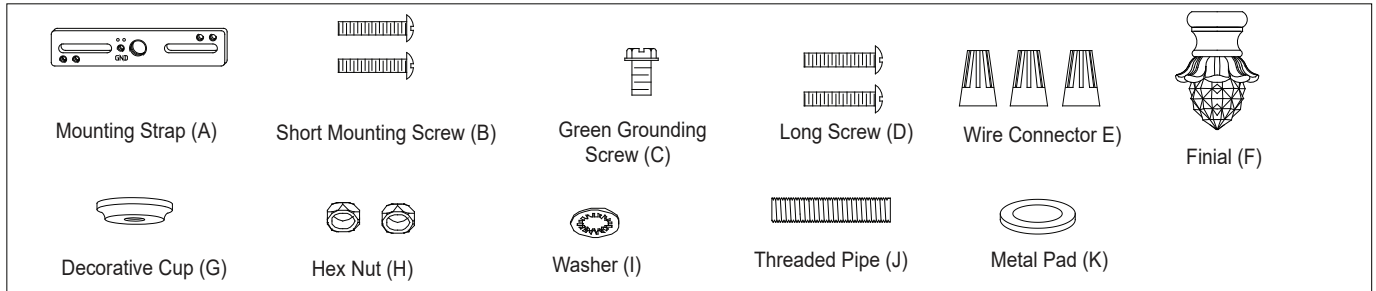
ASSEMBLY AND INSTALLATION INSTRUCTIONS

C0081 / C0196

WARNING: TO AVOID RISK OF ELECTRICAL SHOCK, BE SURE TO SHUT OFF POWER WHILE INSTALLING OR SERVICING THIS FIXTURE.

NOTES: 1. Before installing, consult local electrical codes for wiring and grounding requirements.
2. READ AND SAVE THESE INSTRUCTIONS.

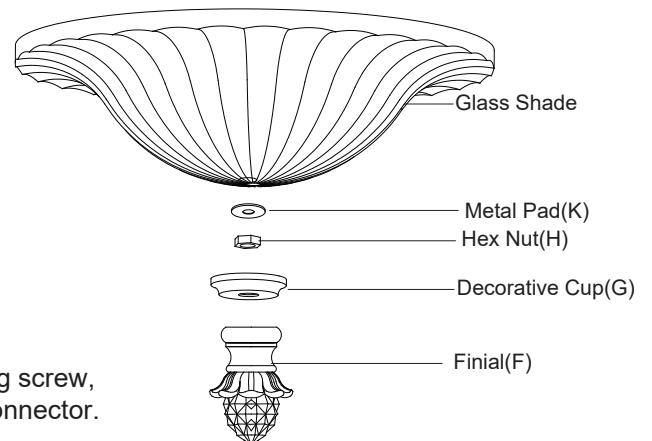
Hardware Package (included):



Installation Steps

Turn off the power at fuse or circuit box.

1. Attach the two long screws to the holes on the mounting strap, thread them in part way: 2 to 3 turns only.
2. Attach the mounting strap to the outlet box using two short mounting screws.
3. Pull out the source wires from the outlet box. Make wire connections using wire connectors as follows:
 - Connect the hot wire (usually black insulation) from the fixture to the black wire from the power source.
 - Connect the neutral wire (usually white insulation) from the fixture to the white wire from the power source.
 - Attach the fixture grounding wire (usually green insulation or bare wire) to the mounting strap with the green grounding screw, then connect it to the house grounding wire with the wire connector.
 Carefully put the wires back into the outlet box.



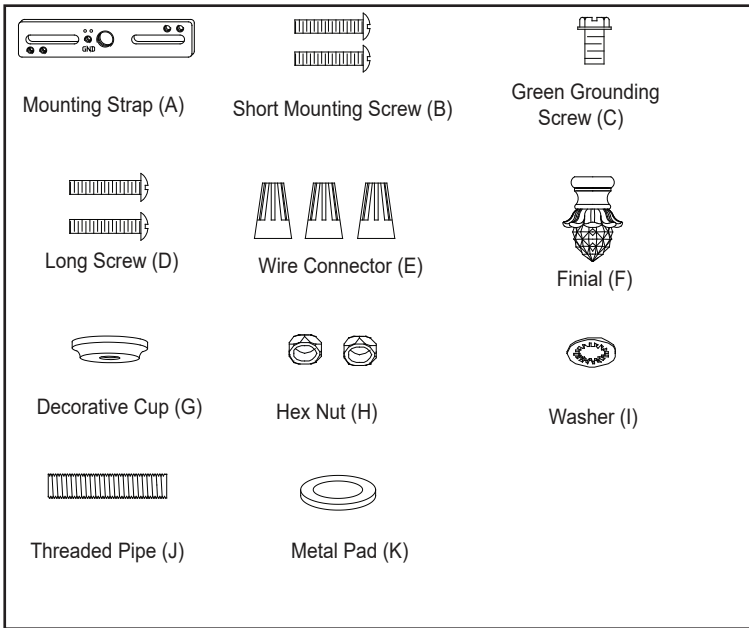
4. Attach the ceiling pan to the mounting strap by inserting two long screw heads into the key holes, and rotate the ceiling pan until it locks in place, then secure the screws tightly. (See Fig.1)

5. Screw the threaded pipe into the coupling, then secure it with a washer and a hex nut.
NOTE: Depth of threaded pipe may need to be adjusted to properly fit glass shade, decorative cup and finial.
6. Install bulbs (not included). See relamping label at socket area or packaging for maximum allowed wattage.
7. Attach the glass shade to the ceiling pan by inserting the threaded pipe, then secure it with a metal pad and hex nut.
8. Slip the decorative cup up through the threaded pipe, secure it with the finial.

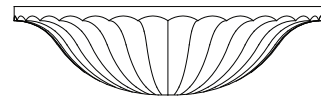
Turn on the power at fuse or circuit box.

The following parts are available for re-order if damaged or missing.

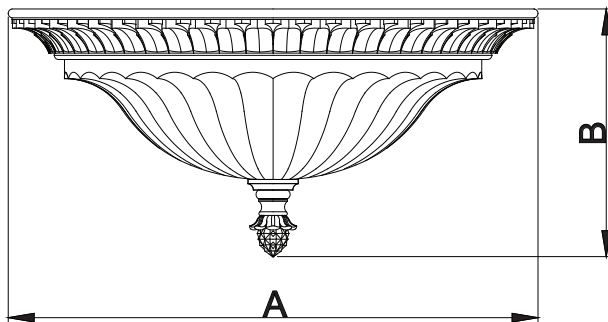
Spare Parts List:



Assembly Kit
 5293MM (1 SET) for C0081
 5958MM (1 SET) for C0196



Glass Shade
 9702AB (1PC) for C0081
 10015EW (1PC) for C0196



A: 16-1/4"

B: 7"