

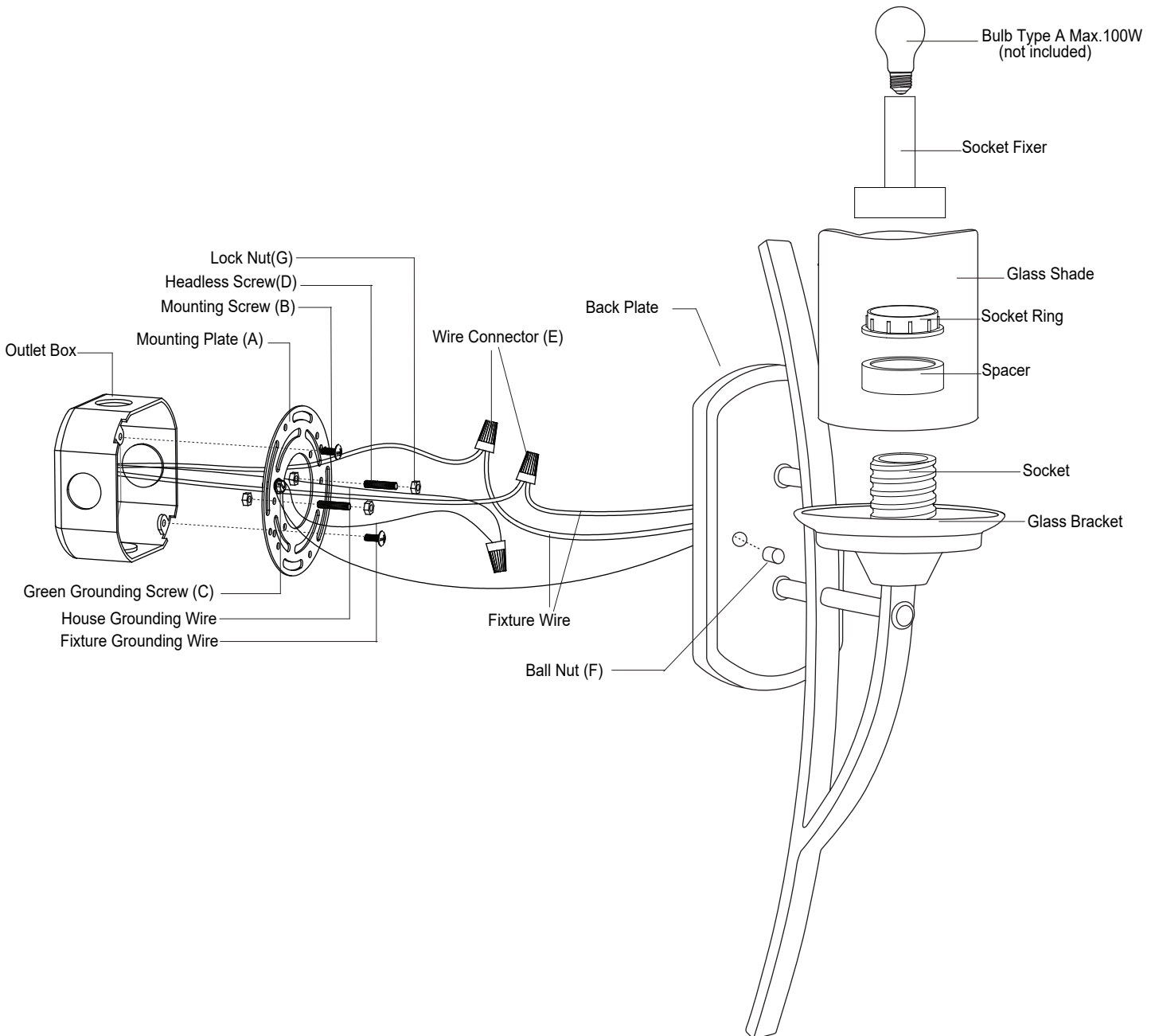
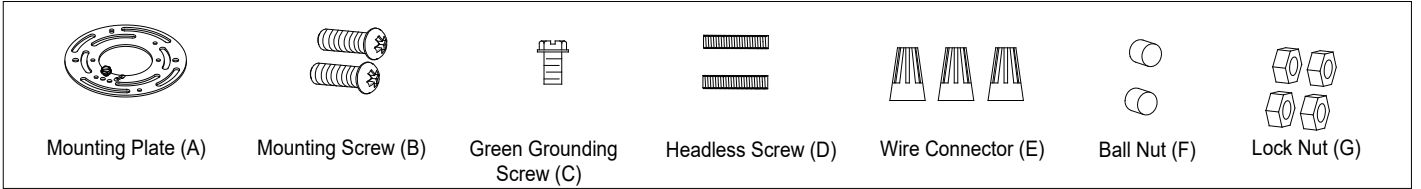
# ASSEMBLY AND INSTALLATION INSTRUCTIONS

W0300

**WARNING:** TO AVOID RISK OF ELECTRICAL SHOCK, BE SURE TO SHUT OFF POWER WHILE INSTALLING OR SERVICING THIS FIXTURE.

**NOTES:** 1. Before installing, consult local electrical codes for wiring and grounding requirements.  
2. READ AND SAVE THESE INSTRUCTIONS.

## Hardware Package (included):



## Installation Steps

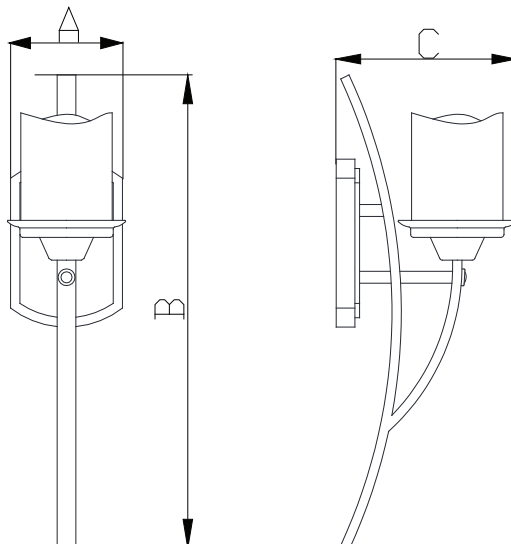
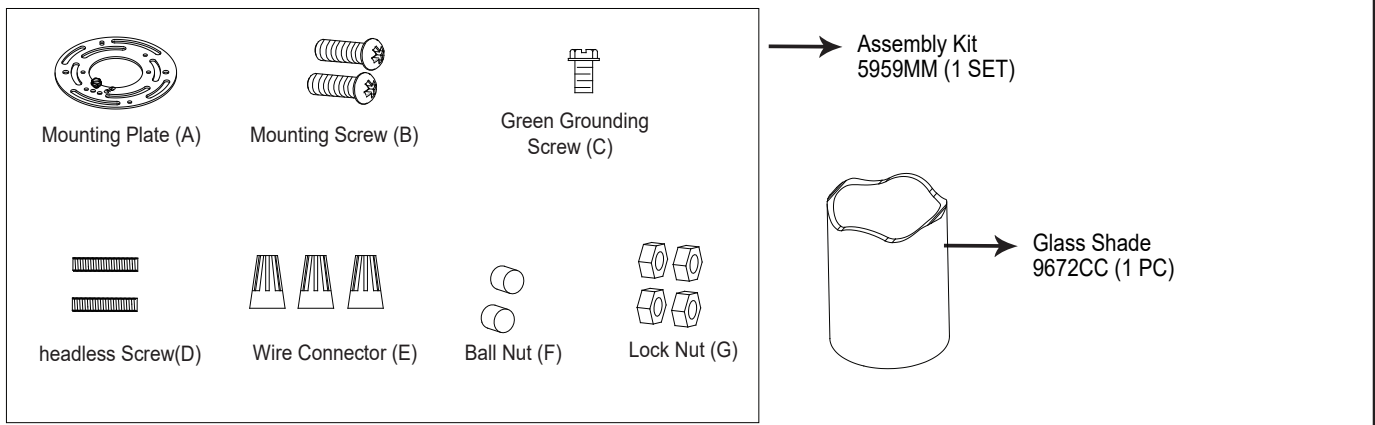
Turn off the power at fuse or circuit box.

1. Thread two headless screws (D) through the mounting plate (A), then secure them with four lock nuts (G) (two on each side of the mounting plate). Adjust the length of the headless screws (D) if necessary.  
**Note: Make sure that the headless screws are lined up horizontally, to ensure that the fixture will be level.**
2. Attach the mounting plate (A) to the outlet box by using two mounting screws (B).
3. Pull out the source wires from the outlet box. Make wire connections using wire connectors (E) as follow:
  - Connect the hot wire (usually black insulation) from the fixture to the black wire from the power source.
  - Connect the neutral wire (usually white insulation) from the fixture to the white wire from the power source.
  - Attach the fixture grounding wire (usually green insulation or bare wire) to the mounting plate with the green grounding screw (C). Then connect it to the house grounding wire with the wire connector (E).Carefully put the wires back into the outlet box.
4. Attach the back plate to the mounting plate (A) by inserting two headless screws (D), then secure it with two ball nuts (F).
5. Attach the glass shade to the glass bracket, secure it with the spacer and socket ring, using supplied socket fixer.
6. Install bulb(not included). See relamping label at socket area or packaging for maximum allowed wattage.

Turn on the power at fuse or circuit box.

The following parts are available for re-order if damaged or missing.

### Spare Parts List:



A: 5"

B: 20"

C: 7-5/8"