



IB RUBINETTI

Collection

INDUSTRIA

Article

ID202

Description

Tall monohole washbasin mixer

Box Dimensions

425 x 188 x 98 mm

Weight

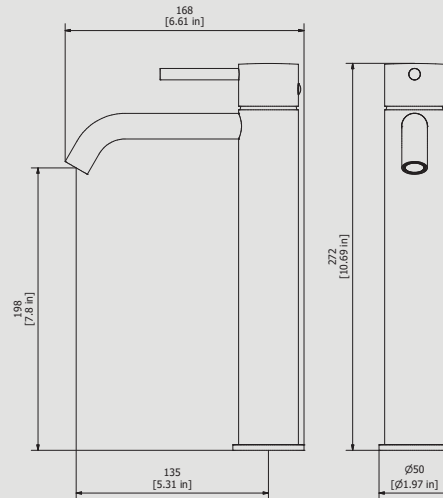
2.3 kg

Finishes

- **CC**
CHROME
- **CF**
BLACK CHROME
- **OO**
GOLD
- **BB**
ANTIQUÉ BRONZE
- **SS**
BRUSHED NICKEL
- **CS**
BRUSHED BLACK CHROME
- **BO**
MATT WHITE
- **NP**
MATT BLACK
- **IS**
BRUSHED PALE GOLD
- **OS**
BRUSHED GOLD
- **II**
PALE GOLD
- **RR**
ANTIQUÉ COPPER
- **RS**
ROSE GOLD
- **ON**
NATURAL BRASS
- **SR**
BRUSHED ROSE GOLD
- **PL**
PLATINUM



Dimensions



Cartridge

Ø25 ceramic cartridge

Hoses

Inox hoses G3\8" female 400 mms long

Aerator

M16.5x1

Flow Rate (+/-10%)

1 BAR	2 BAR	3 BAR
5.9 l\min	8.4 l\min	10.3 l\min

Production

Main body is a machined from a solid pieces

Material

BRASS
According to CuZn42 (CW510L)
Max Lead content: 0.2%

IB RUBINETTERIE s.p.a
via dei Pianotti 3/5
25068 Sarezzo (BS) - Italy -

T. +39 030 802101
F. +39 030 803097
info@ibrubinetterie.it

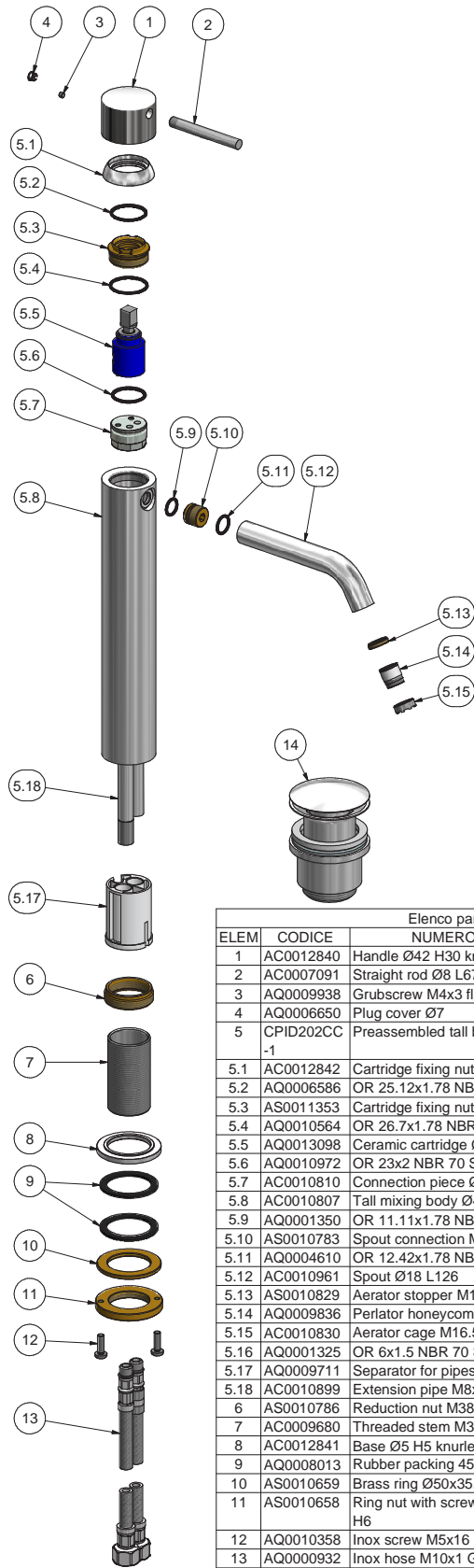
P.IVA 01785230986
capitale sociale
€420.000,00 i.v.

WWW.IBRUBINETTI.IT





IB RUBINETTI



Elenco parti

ELEM	CODICE	NUMERO DI MAGAZZINO	QT
1	AC0012840	Handle Ø42 H30 knurled	1
2	AC0007091	Straight rod Ø8 L67	1
3	AQ0009938	Grubscrew M4x3 flat point	1
4	AQ0006650	Plug cover Ø7	1
5	CPID202CC	Preassembled tall basin mixer	1
5.1	AC0012842	Cartridge fixing nut chromed cover	1
5.2	AQ0006586	OR 25.12x1.78 NBR 70 SH	1
5.3	AS0011353	Cartridge fixing nut M30x1 H14.35	1
5.4	AQ0010564	OR 26.7x1.78 NBR 70 SH	1
5.5	AQ0013098	Ceramic cartridge Ø25 9x9 (K25 OP S)	1
5.6	AQ0010972	OR 23x2 NBR 70 SH	1
5.7	AC0010810	Connection piece Ø27X18	1
5.8	AC0010807	Tall mixing body Ø42 H235	1
5.9	AQ0001350	OR 11.11x1.78 NBR 70 SH	1
5.10	AS0010783	Spout connection M16x1 M10x1 H12.5	1
5.11	AQ0004610	OR 12.42x1.78 NBR 70 SH	1
5.12	AC0010961	Spout Ø18 L126	1
5.13	AS0010829	Aerator stopper M16.5x1 H4	1
5.14	AQ0009836	Perlator honeycomb with rubber (44.3030.0)	1
5.15	AC0010830	Aerator cage M16.5x1 H6	1
5.16	AQ0001325	OR 6x1.5 NBR 70 SH	2
5.17	AQ0009711	Separator for pipes	1
5.18	AC0010899	Extension pipe M8x1 M10x1 H230	2
6	AS0010786	Reduction nut M38x1.5 M33x1.5 H11	1
7	AC0009680	Threaded stem M33x1.5 H61	1
8	AC0012841	Base Ø5 H5 knurled	1
9	AQ0008013	Rubber packing 45x35x2	2
10	AS0010659	Brass ring Ø50x35.5x3	1
11	AS0010658	Ring nut with screwed holes Ø52 M33x1.5 H6	1
12	AQ0010358	Inox screw M5x16	2
13	AQ0000932	Inox hose M10x1 G3/8" F L400	2
14	AQ0009837	Simple rapid waste 1"1/4	1

WARRANTY

All IB Rubinetterie SpA products are warranted for 10 years from the date of purchase, for the following cases:

- Defects of casting, porosity and chrome plating.
- Operating defects caused by incorrect fabrication.

The warranty provides for repair or replacement of products with fabrication defects recognized by our technical office. There is no other type of compensation anche the merchandise must be returned FOB our warehouse. The warranty only cover surface defects (scatches, dings, etc.) on fitting that have not been installed and used, returned in its original packaging with all components. O-ring, gasket seals and components subject to wear proportional to use are warranted for 2 years.

The warranty is void in the following cases:

Error installing and putting the product into service.

Deterioration of finished surfaces due to use of cleaning products containing acids or abrasive substances. Deterioration of surface with finishes other than chrome plating. Their durability is, in fact, dependent on the user's care and gentleness of use.

Deterioration of the fitting due incorrect installation.

Improper repairs and maintenance performed without the company's prior authorization.

The warranty from IB Rubinetterie SpA is not renewable.

Cleaning

We recommended cleaning the finish surfaces with water and soap, using a soft cloth.

Do not use detergents that contain hydrochloric acid or abrasive substances.

