



# IB RUBINETTI

Collection

## INDUSTRIA

Article

### ID299

Description

**Monohole free-standing washbasin**

**Built-in body to be purchased separately INC399XXXN\_19**

Box Dimensions

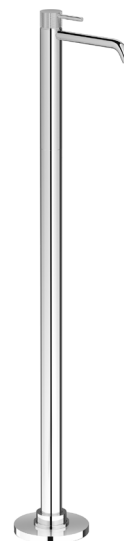
**1100 x 395 x 150 mm**

Weight

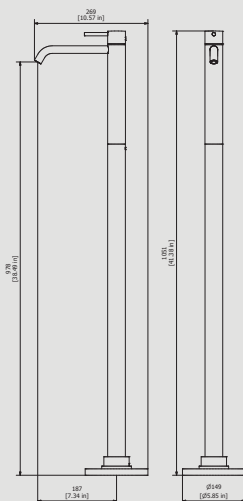
**15.6 kg**

Finishes

- **CC**  
CHROME
- **CF**  
BLACK CHROME
- **OO**  
GOLD
- **BB**  
ANTIQUE BRONZE
- **SS**  
BRUSHED NICKEL
- **CS**  
BRUSHED BLACK CHROME
- **BO**  
MATT WHITE
- **NP**  
MATT BLACK
- **IS**  
BRUSHED PALE GOLD
- **OS**  
BRUSHED GOLD
- **II**  
PALE GOLD
- **RR**  
ANTIQUE COPPER
- **RS**  
ROSE GOLD
- **ON**  
NATURAL BRASS
- **SR**  
BRUSHED ROSE GOLD
- **PL**  
PLATINUM



Dimensions



Cartridge

**Ø25 ceramic cartridge**

Hoses

Aerator

**M16.5x1**

Flow Rate (+/-10%)

<b>1 BAR</b>	<b>2 BAR</b>	<b>3 BAR</b>
<b>5.5 l/min</b>	<b>7.8 l/min</b>	<b>9.6 l/min</b>

Production

**Main body is a machined from a solid pieces**

Material

**BRASS**  
According to CuZn39PB3 (CW614N)  
Max Lead content: 2.5%

IB RUBINETTERIE s.p.a  
via dei Pianotti 3/5  
25068 Sarezzo (BS) - Italy -

T. +39 030 802101  
F. +39 030 803097  
info@ibrubinetterie.it

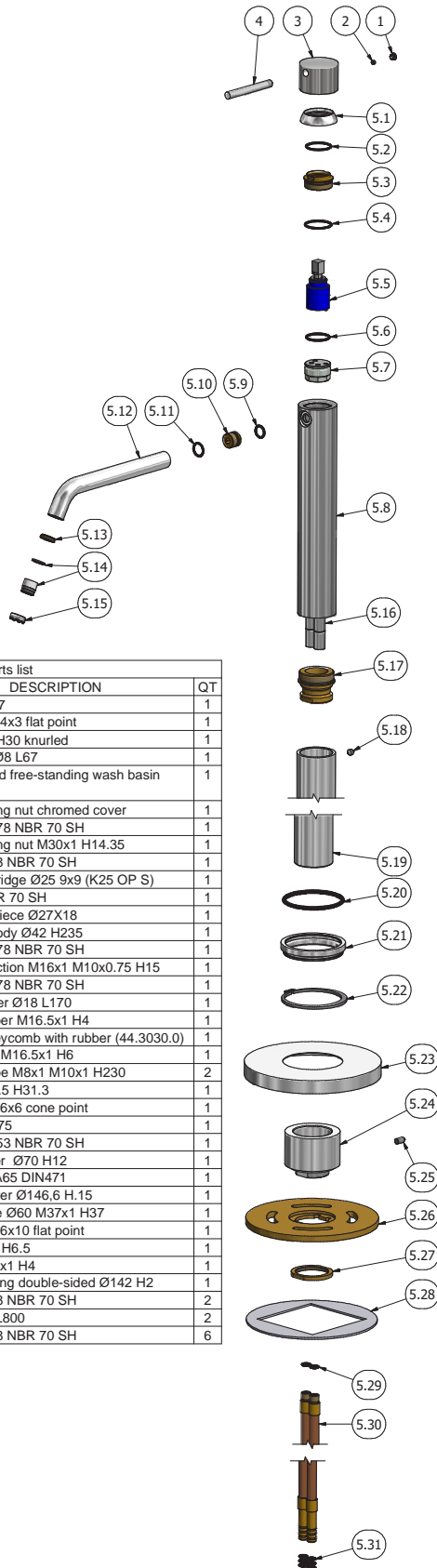
P.IVA 01785230986  
capitale sociale  
€420.000,00 i.v.

WWW.IBRUBINETTI.IT





# IB RUBINETTI



Parts list				
ELEM	CODE	DESCRIPTION	QT	
1	AQ0006650	Plug cover Ø7	1	
2	AQ0009938	Grubscrew M4x3 flat point	1	
3	AC0012840	Handle Ø42 H30 knurled	1	
4	AC0007091	Straight rod Ø8 L67	1	
5	CPMT299C C-19	Preassembled free-standing wash basin mixer	1	
5.1	AC0012842	Cartridge fixing nut chromed cover	1	
5.2	AQ0006586	OR 25.12x1.78 NBR 70 SH	1	
5.3	AS0011353	Cartridge fixing nut M30x1 H14.35	1	
5.4	AQ0010564	OR 26.7x1.78 NBR 70 SH	1	
5.5	AQ0013098	Ceramic cartridge Ø25 9x9 (K25 OP S)	1	
5.6	AQ0010972	OR 23x2 NBR 70 SH	1	
5.7	AC0010810	Connection piece Ø27x18	1	
5.8	AC0010807	Tall mixing body Ø42 H235	1	
5.9	AQ0001350	OR 11.11x1.78 NBR 70 SH	1	
5.10	AS0010783	Spout connection M16x1 M10x0.75 H15	1	
5.11	AQ0004610	OR 12.42x1.78 NBR 70 SH	1	
5.12	AC0010910	Sink dispenser Ø18 L170	1	
5.13	AS0010829	Aerator stopper M16.5x1 H4	1	
5.14	AQ0009836	Perlator honeycomb with rubber (44.3030.0)	1	
5.15	AC0010830	Aerator cage M16.5x1 H6	1	
5.16	AC0010899	Extension pipe M8x1 M10x1 H230	2	
5.17	AS0016044	Insert M38x1.5 H31.3	1	
5.18	AQ0009549	Grubscrew M6x6 cone point	1	
5.19	AC0016040	Pipe Ø42 H775	1	
5.20	AQ0010874	OR 59.92x3.53 NBR 70 SH	1	
5.21	AC0010907	Ring for carter Ø70 H12	1	
5.22	AQ0011023	Seeger ring A65 DIN471	1	
5.23	AQ0010873	Chromed cover Ø146.6 H.15	1	
5.24	AC0016047	Insert for pipe Ø60 M37x1 H37	1	
5.25	AQ0001091	Grubscrew M6x10 flat point	1	
5.26	AS0015991	Flange Ø144 H6.5	1	
5.27	AS0013152	Nut Ø45 M36x1 H4	1	
5.28	AQ0015889	Rubber packing double-sided Ø142 H2	1	
5.29	AQ0001330	OR 6.75x1.78 NBR 70 SH	2	
5.30	AS0016038	Pipe M10x1 L800	2	
5.31	AQ0012025	OR 6.35x1.78 NBR 70 SH	6	

**WARRANTY**

All IB Rubinetterie SpA products are warranted for 10 years from the date of purchase, for the following cases:

- Defects of casting, porosity and chrome plating.
- Operating defects caused by incorrect fabrication.

The warranty provides for repair or replacement of products with fabrication defects recognized by our technical office. There is no other type of compensation anche the merchandise must be returned FOB our warehouse. The warranty only cover surface defects (scatches, dings, etc.) on fitting that have not been installed and used, returned in its original packaging with all components. O-ring, gasket seals and components subject to wear proportional to use are warranted for 2 years.

**The warranty is void in the following cases:**

Error installing and putting the product into service.

Deterioration of finisched surfaces due to use of cleaning products containing acids or abrasive substances. Deterioration of surface with finishes other than chrome plating. Their durability is, in fact, dependent on the user's care and gentleness of use.

Deterioration of the fitting due incorrect installation.

Improper repairs and maintenance performed without the company's prior authorization.

The warranty from IB Rubinetterie SpA is not renewable.

**Cleaning**

We recommended cleaning the finish surfaces with water and soap, using a soft cloth.

Do not use detergents that cointain hydrochloric acid or abrasive substances.

