



# IB RUBINETTI

Collection

**K3**

Article

**K3299**

Description

**Monohole free-standing washbasin mixer**

**Built-in body to be purchased separately INC399XXXN\_19**

Box Dimensions

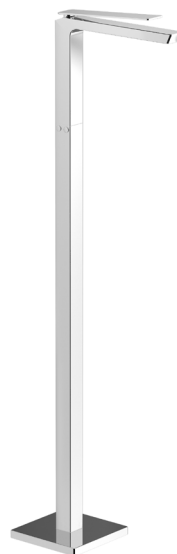
**1160 x 360 x 180 mm**

Weight

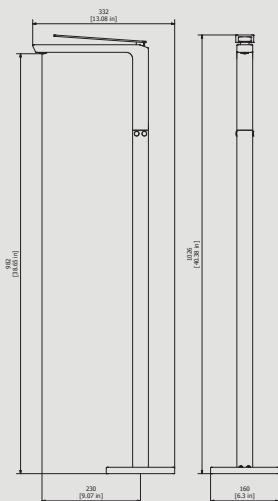
**11.2 kg**

Finishes

- **CC** CHROME
- **CF** BLACK CHROME
- **BG** GLOSSY WHITE
- **NG** GLOSSY BLACK
- **SS** BRUSHED NICKEL
- **CS** BRUSHED BLACK CHROME
- **BO** MATT WHITE
- **NP** MATT BLACK
- **OO** GOLD
- **BB** ANTIQUE BRONZE
- **II** PALE GOLD
- **RR** ANTIQUE COPPER
- **RS** ROSE GOLD
- **ON** NATURAL BRASS
- **IS** BRUSHED PALE GOLD
- **OS** BRUSHED GOLD
- **SR** BRUSHED ROSE GOLD
- **PL** PLATINUM



Dimensions



Cartridge

**Ø25 ceramic cartridge**

Threaded fitting

Aerator

**M24x1**

Flow Rate (+/-10%)

<b>1 BAR</b>	<b>2 BAR</b>	<b>3 BAR</b>
<b>3.6 l/min</b>	<b>5.1 l/min</b>	<b>5.5 l/min</b>

Production

**Main body is a single casted pieces**

Material

**BRASS**  
According to CuZn35Pb2Al-B (CB752S)  
Max Lead content: 1.36%

IB RUBINETTERIE s.p.a  
via dei Pianotti 3/5  
25068 Sarezzo (BS) - Italy -

T. +39 030 802101  
F. +39 030 803097  
info@ibrubinetterie.it

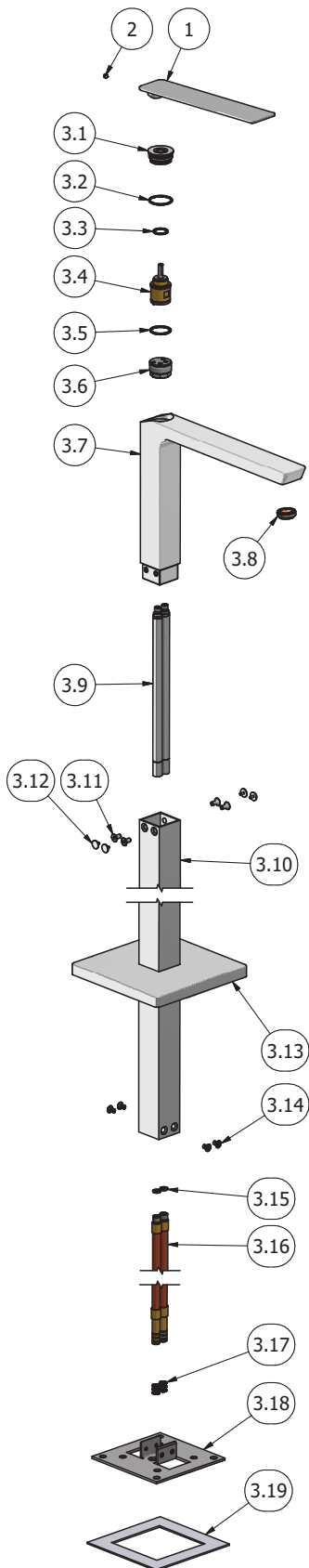
P.IVA 01785230986  
capitale sociale  
€420.000,00 i.v.

WWW.IBRUBINETTI.IT





# IB RUBINETTI



Parts list			
ELEM	CODE	DESCRIPTION	QT
1	AQ0014020	Handle L215 H15.2 4°	1
2	AQ0009729	Grubscrew M5x5 cone point	1
3	CPK3299CC _19	Basin mixer to floor	1
3.1	AC0011883	Cartridge fixing nut Ø32,8 H.14.15	1
3.2	AQ0010564	OR 26.7x1.78 NBR 70 SH	1
3.3	AQ0004600	OR 15.6x1.78 NBR 70 SH	1
3.4	AQ0014738	Ceramic cartridge Ø25 (plug 4 mm)	1
3.5	AQ0010972	OR 23x2 NBR 70 SH	1
3.6	AC0010810	Connection piece Ø27X18	1
3.7	AQK014068	Body mikser 37x37 H L167 stamped	1
3.8	AQ0013478	Perlator coin slot M24x1 5l/m (45.2051.000)	1
3.9	AC0010899	Extension pipe M8x1 M10x1 H230	2
3.10	AC0016041	Pipe 37x37x800	1
3.11	AC0010055	Inox screw M5x10	4
3.12	AC0007108	M3 plug cover for screw	4
3.13	AQ0014731	Carter 160x160x15 37.5x37.5	1
3.14	AQ0013722	Inox screw M5x8 countersunk head	4
3.15	AQ0001330	OR 6.75x1.78 NBR 70 SH	2
3.16	AS0012379	Pipe M10x1 L770	2
3.17	AQ0012025	OR 6.35x1.78 NBR 70 SH	6
3.18	AQ0016036	Flange 120x120 32.5x32.5 H24.5	1
3.19	AQ0015986	Rubber packing double-sided tape 128x128x2	1

**WARRANTY**

All IB Rubinetterie SpA products are warranted for 10 years from the date of purchase, for the following cases:

- Defects of casting, porosity and chrome plating.
- Operating defects caused by incorrect fabrication.

The warranty provides for repair or replacement of products with fabrication defects recognized by our technical office. There is no other type of compensation anche the merchandise must be returned FOB our warehouse. The warranty only cover surface defects (scatches, dings, etc.) on fitting that have not been installed and used, returned in its original packaging with all components. O-ring, gasket seals and components subject to wear proportional to use are warranted for 2 years.

**The warranty is void in the following cases:**

Error installing and putting the product into service.

Deterioration of finished surfaces due to use of cleaning products containing acids or abrasive substances. Deterioration of surface with finishes other than chrome plating. Their durability is, in fact, dependent on the user's care and gentleness of use.

Deterioration of the fitting due incorrect installation.

Improper repairs and maintenance performed without the company's prior authorization.

The warranty from IB Rubinetterie SpA is not renewable.

**Cleaning**

We recommended cleaning the finish surfaces with water and soap, using a soft cloth.

Do not use detergents that contain hydrochloric acid or abrasive substances.

