



# IB RUBINETTI

Collection

## SUPERBOX

Article

### SB200

Description

**Monohole washbasin mixer**



Box Dimensions

**225 x 95 x 70 mm**

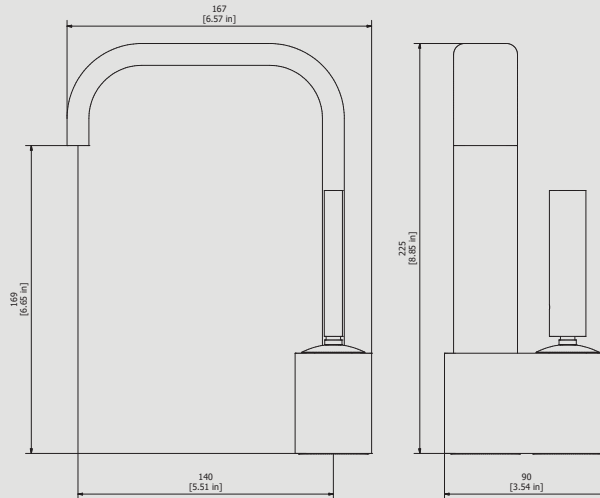
Weight

**2.6 kg**

Finishes

- **CC**  
CHROME
- **CF**  
BLACK CHROME
- **OO**  
GOLD
- **BB**  
ANTIQUE BRONZE
- **SS**  
BRUSHED NICKEL
- **CS**  
BRUSHED BLACK CHROME
- **BO**  
MATT WHITE
- **NP**  
MATT BLACK
- **IS**  
BRUSHED PALE GOLD
- **OS**  
BRUSHED GOLD
- **II**  
PALE GOLD
- **RR**  
ANTIQUE COPPER
- **RS**  
ROSE GOLD
- **ON**  
NATURAL BRASS
- **SR**  
BRUSHED ROSE GOLD
- **PL**  
PLATINUM

Dimensions



Cartridge

**Ø25 ceramic cartridge**

Hoses

**Inox hoses G3/8" female 400 mms long**

Aerator

Flow Rate (+/-10%)

<b>1 BAR</b>	<b>2 BAR</b>	<b>3 BAR</b>
<b>8 l/min</b>	<b>11 l/min</b>	<b>13 l/min</b>

Production

**Main body is a single hot stamped pieces**

Material

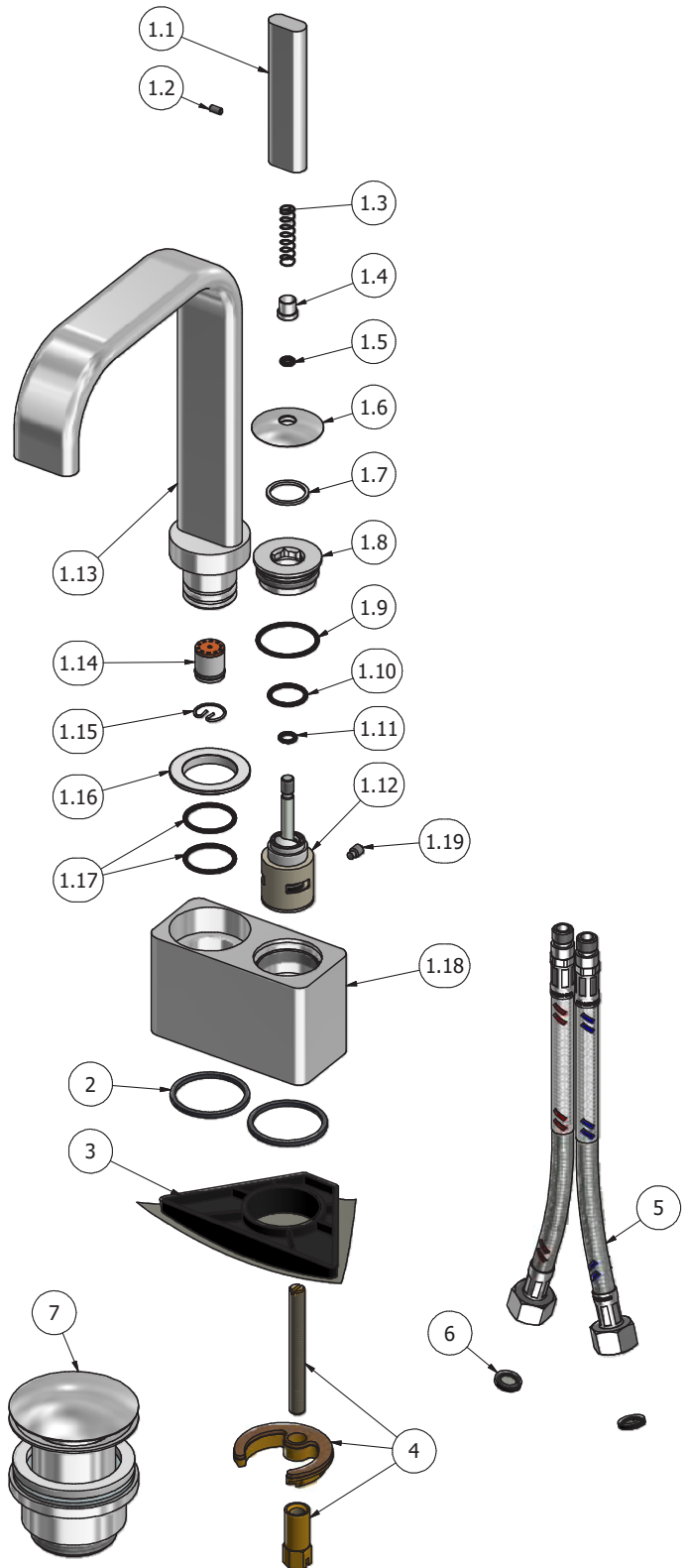
**BRASS**  
According to CuZn42 (CW510L)  
Max Lead content: 0.2%





# IB RUBINETTI

Elenco parti			
ELEM	CODICE	NUMERO DI MAGAZZINO	QT
1	CPKSB200 CCX02	Preassembled washbasin	1
1.1	AC0011283	Washbasin lever 80x20x10	1
1.2	AQ0010525	Grubscrew M3x6 flat point	1
1.3	AQ0013011	Spring L30 F0.5 Ø7	1
1.4	AC0011284	Plunger for lever Ø7.9 Ø9.5 H9 hole 6,5	1
1.5	AQ0007122	OR 3.69x1.78 NBR 70 SH	1
1.6	AC0010892	Cartridge fixing nut sliding cover Ø34,5 H.4,2	1
1.7	AQ0011008	Teflon antifriction ring 20,4X17	1
1.8	AC0010893	Cartridge fixing nut Ø32,8 H.13,5	1
1.9	AQ0010564	OR 26.7x1.78 NBR 70 SH	1
1.10	AQ0004600	OR 15.6x1.78 NBR 70 SH	1
1.11	AQ0001325	OR 6x1.5 NBR 70 SH	1
1.12	AQ0011012	Ceramic cartridge open Ø25 with M6 rod (ST 325)	1
1.13	AC0011100	Spout-out 35x12 H180	1
1.14	AQ0011121	Valve reduction flow 10 LTM (31.4190.0)	1
1.15	AQ0009678	Elastic ring AISI 302	1
1.16	AQ0012088	Teflon ring Ø38.8xØ26 H5	1
1.17	AQ0006637	OR 21.95x1.78 NBR 70 SH	2
1.18	CC0002189	Washbasin body 90x55x42	1
1.19	AQ0007178	Grubscrew M5x8	1
2	AQ0010274	Rubber packing Ø38x33.5x2	2
3	AQ0009184	Support base for sink	1
4	AQ0010357	Fixing set	1
5	AQ0000932	Inox hose M10x1 G3/8" F L400	2
6	AQ0009513	Rubber packing G3/8" H 2	2
7	AQ0009837	Simple rapid waste 1"1/4	1



**WARRANTY**

All IB Rubinetterie SpA products are warranted for 10 years from the date of purchase, for the following cases:

- Defects of casting, porosity and chrome plating.
- Operating defects caused by incorrect fabrication.

The warranty provides for repair or replacement of products with fabrication defects recognized by our technical office. There is no other type of compensation anche the merchandise must be returned FOB our warehouse. The warranty only cover surface defects (scatches, dings, etc.) on fitting that have not been installed and used, returned in its original packaging with all components. O-ring, gasket seals and components subject to wear proportional to use are warranted for 2 years.

**The warranty is void in the following cases:**

Error installing and putting the product into service.

Deterioration of finisched surfaces due to use of cleaning products containing acids or abrasive substances. Deterioration of surface with finishes other than chrome plating. Their durability is, in fact, dependent on the user's care and gentleness of use.

Deterioration of the fitting due incorrect installation.

Improper repairs and maintenance performed without the company's prior authorization.

The warranty from IB Rubinetterie SpA is not renewable.

**Cleaning**

We recommended cleaning the finish surfaces with water and soap, using a soft cloth.

Do not use detergents that cointain hydrochloric acid or abrasive substances.

