

INSTALLATION INSTRUCTION FOR FIXTURE

**#561B-BK-SL-FRB-LED.#561B-DBZ-SL-FRB-LED.#561B-SL-SL-FRB-LED.
#561B-BK-GD-CSL-LED.#561B-DBZ-GD-CSL-LED.#561B-BK-SL-SDY-LED.
#561B-DBZ-SL-SDY-LED.#561B-SL-SL-LED.**

**WARNING! SHUT POWER OFF AT FUSE OR CIRCUIT BREAKER.
AVERTISSEMENT! COUPER LE COURANT AU NIVEAU DES FUSIBLES OU DU DISJONCTEUR.**

MOUNTING THE FIXTURE (FIG. 1)

1. Shut off the power supply at the fuse box or circuit breaker. If necessary, remove the old fixture from wall. Including the mounting hardware.
2. Carefully remove the new fixture from the carton and check that all parts are included as shown in the illustration.
3. Attach the mounting plate (I) to the outlet box using the outlet box screws (J). The side of the mounting plate marked "GND" must face out Connect wire.
4. **CONNECTING THE WIRES (FIG. 2)**
 - a. At this point, connect the electrical wires as shown in Fig. 2, making sure that all wire connectors are secured. If your outlet box has a ground wire (green or bare copper), connect the fixture's ground wire to it. Otherwise, connect the fixture's ground wire directly to the mounting strap using the green screw provided. Tuck the wire connections neatly into the wall outlet box
 - b. Attach the fixture wall plate (K) with wall plate screw over the mounting plate (I) and securing with mounting screws (H) until snug.
5. Install the Aluminum frame (F) in the Wall plate(K) ,Then secure in the Mounting plate(I) tightly.

-Mounting Plate
-Ground screw
-Mounting screws (2)

Fig.1

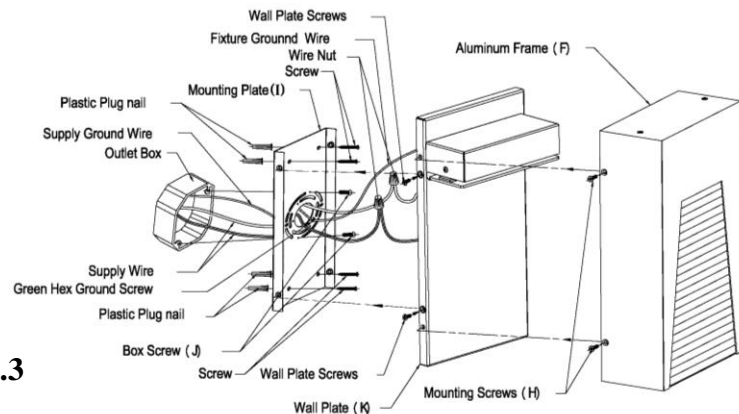


Fig.3

Replacement Frame Glass and LED Module (FIG.3)

1. To install the glass. Firstly, removing 2 Screws (L) and take out 2 Aluminum Plates (S) and then remove glass (M) and replace new glass. Put Aluminum Plate (S) back and fasten by 2 Screw (L).

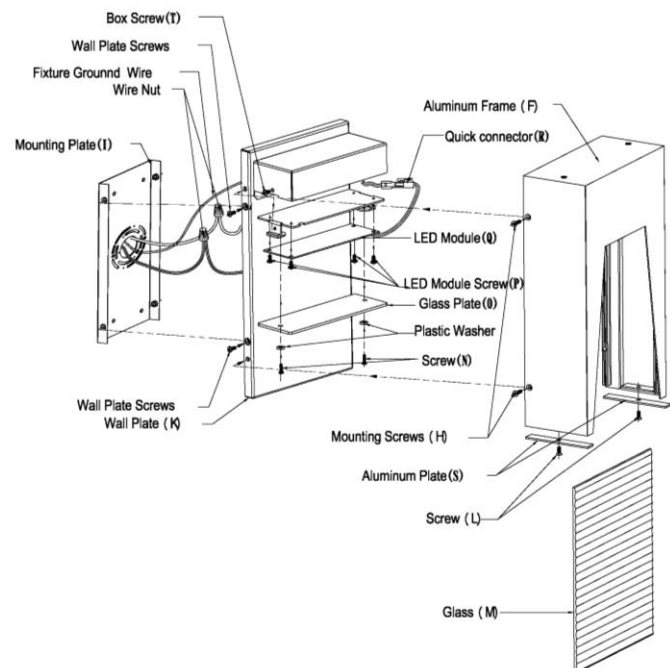
To replace the LED module.

1. Replace the LED model in accordance with fixture's specifications. (DO NOT EXCEED THE MAXIMUM WATTAGE RATING!)
2. *Loosing 4 mounting screws(H) from both side of lamp shell and remove the lamp shell from the wall. Removing the 2 Screw (N) and take out Glass Plate (O).

*Removing 2 Box Screw (T) and take out 4 LED Module Screw (P). Pull out LED Module (Q) and plug out Quick connector (R) to change new LED module (Q).

*Fasten 4 LED module screw (p) and connect Quick connector (R) and tighten Box Screw (T) from both side of lamp shell again. Put the Glass Plate (O) and put in Plastic Washer back and then tighten Screw (N).

*Put the lamp shell back to the wall and fastened by 4 mounting screws (H)



Your installation is now complete. Return power to the junction box and test the fixture.

Fig.2

