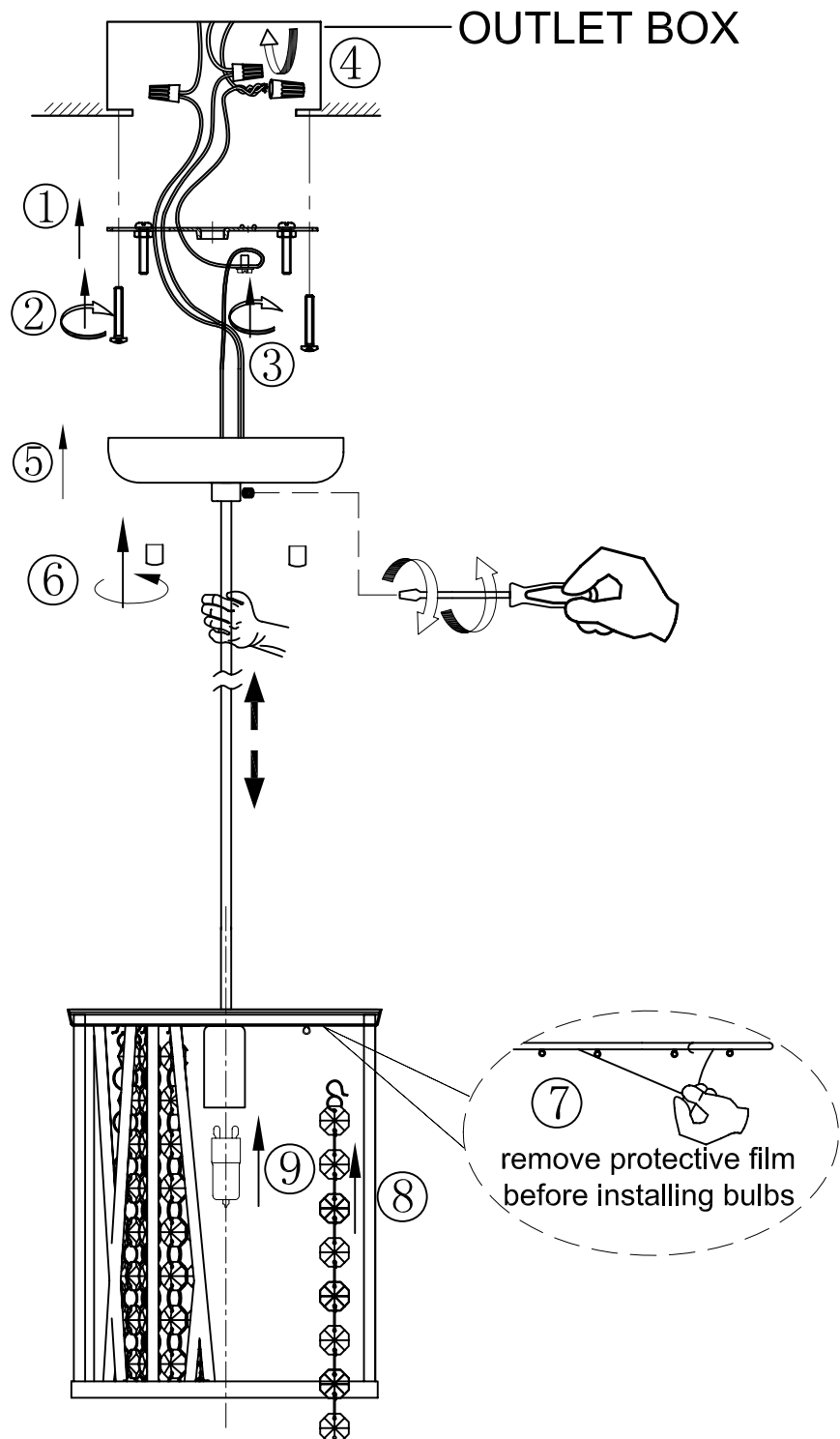


INSTALLATION INSTRUCTION

Item No.: 872CH-RMP



FEATURE

- 120V ~ 60Hz
- Lamp Type: G9 MAX 40W

The lamp is for indoor use only

Turn power off to outlet before beginning installation